



**SolaX Power Network Technology (Zhejiang) Co., Ltd.**

ADD.: No. 278, Shizhu Road, Chengnan Sub-district, Tonglu County,  
Hangzhou, Zhejiang, China  
E-mail: [info@solaxpower.com](mailto:info@solaxpower.com)



320101043308

Copyright © SolaX Power Network Technology (Zhejiang) Co., Ltd. All rights reserved.

# **X3-Fit G4**

**6 kW / 8 kW / 10 kW / 15 kW**

## **User Manual**

Version 8.0

[www.solaxpower.com](http://www.solaxpower.com)



eManual in the QR code or at  
<http://kb.solaxpower.com/>

---

## Change History

Changes between document versions are cumulative. The latest version contains all updates made in previous versions.

### Version 08 (Jan. 20, 2025)

Added content about battery HS51.

Added password resetting function to settings.

### Version 07 (Jul. 22, 2024)

Modified the company address and deleted the telephone.

Modified the direct sunlight suggestions.

Modified the diameter of PE wire from 4 mm<sup>2</sup> into 4~6 mm<sup>2</sup>.

Modified the torque in mechanical installation, grounding connection, and grid & EPS (off-grid) connection.

Modified the net weight and gross weight into 30±1 kg and 34±1 kg respectively.

Modified the number and installation order of washers in mechanical installation.

Modified the work modes.

### Version 06 (Mar. 25, 2024)

Modified the cover and back cover.

Corrected some parameters.

Deleted UKCA identifier.

### Version 05 (September. 13, 2023)

Update 7.3 LCD Operation (Update the description of battery heating function) in page107.)

Update 5.4 Communication Connection (Add 5.4.5 Introduction to OFF port.)

### Version 04 (July. 26, 2023)

Update 7.3 LCD Operation (Correct the mistake in 27) in page108.)

Update 5.3 Battery Connection (Update the compatible battery models and quantity)

Update 7.3 LCD Operation (Add Meter/CT Check under Meter/CT setting interface and add Super-Backup under EPS setting.)

Update 1.3.1 Important Safety Instruction (Correct some notices.)

### Version 03 (May. 08, 2023)

Update 2.3 Work Modes and 7.3 LCD Operation (Added peak shaving mode under work modes chapter.)

Update 7.3 LCD Operation (Updated the LCD display under most settings.)

Update 4.2 Packing List (Added a RJ45 connector in the packing list.)

Update 5.4.3 Parallel Connection (Updated the description.)

## **Version 02 (Dec. 14, 2022)**

- Update the inverter power (Added 10.0K-D for the certification of Belgium)
- Update 2.3 Work Modes (Separated the description of the forced charging period and allowed discharging period)
- Update 2.2 Electrical Block Diagram of the System (Changed the place of RCD in the W and M version diagram in Australia)
- Update 5.5.3 Parallel Connection (Added a note about "External ATS" setting and corrected the port of the inverter the meter connected to)
- Update 7.3 LCD Operation (Changed the "External ATS" setting)
- Update 3 Technical Data (Revised the description of some data and added some new parameters.)
- Update 1.3.2 Explanation of Symbols (Deleted the icon and description of "UNKI")
- Update 5.5.4 COM Communication (A computer is connected to an inverter through a USB-RS485 converter.)

## **Version 01 (Sept. 9, 2022)**

- Update 1.3.2 Explanation of Symbols (Deleted the icon of "TUV")
- Update 4.2 Packing List (Changed the WiFi Dongle optional)
- Update the design and cover page (Changed the telephone number and changed the design layout tolerance)
- Update 1.3.3 EC Directives (Updated the corresponding standards)
- Update 3 Technical Data (Added "Nominal AC Output Current")

## **Version 00 (Jul. 15, 2022)**

- Initial release

## Contents

|  |           |
|--|-----------|
| <b>1 Note on this Manual.....</b>                | <b>03</b> |
| 1.1 Scope of Validity.....                       | 03        |
| 1.2 Target Group.....                            | 03        |
| 1.3 Symbols Used.....                            | 03        |
| 1.3.1 Important Safety Instructions.....         | 04        |
| 1.3.2 Explanation of Symbols.....                | 08        |
| 1.3.3 CE Directives.....                         | 10        |
| <br>   |           |
| <b>2 Introduction .....</b>                      | <b>11</b> |
| 2.1 Basic Features .....                         | 11        |
| 2.2 Electrical Block Diagram of the System ..... | 11        |
| 2.3 Work Modes.....                              | 14        |
| 2.4 Dimensions .....                             | 16        |
| 2.5 Terminals of Inverter.....                   | 17        |
| <br>   |           |
| <b>3 Technical Data.....</b>                     | <b>18</b> |
| 3.1 DC Input.....                                | 18        |
| 3.2 AC Output/Input .....                        | 18        |
| 3.3 Battery.....                                 | 19        |
| 3.4 Efficiency, Safety and Protection.....       | 19        |
| 3.5 EPS(Off-grid) Output .....                   | 20        |
| 3.6 General Data.....                            | 20        |
| <br>   |           |
| <b>4 Installation.....</b>                       | <b>21</b> |
| 4.1 Check for Transport Damage .....             | 21        |
| 4.2 Packing List.....                            | 21        |
| 4.3 Installation Precautions.....                | 23        |
| 4.4 Tool Preparation.....                        | 24        |
| 4.5 Installation Site Conditions.....            | 26        |
| 4.5.1 Installation Carrier Requirements .....    | 26        |
| 4.5.2 Installation Requirements.....             | 27        |
| 4.5.3 Installation Space Requirements.....       | 27        |
| 4.6 Mounting.....                                | 28        |



**5 Electrical Connections.....31**

5.1 Grid Port and EPS(Off-grid) Output Connection..... 31  
 5.2 EPS(Off-grid) Block Diagram..... 32  
 5.3 Battery Connection.....41  
 5.4 Communication Connection.....45  
     5.4.1 Introduction to COM Communication.....45  
     5.4.2 Introduction to meter Communication.....47  
     5.4.3 Parallel Communication.....49  
     5.4.4 Introduction to DRM Communication.....56  
     5.4.5 Introduction to OFF port.....56  
     5.4.6 Communication Connection Steps.....57  
 5.5 Grounding Connection(Mandatory).....63  
 5.6 Monitoring Connection(Accessories).....66  
 5.7 Check All below Steps before Starting Inverter.....68  
 5.8 Inverter Operation..... 69

**6 Firmware upgrading.....71**

**7 Setting.....75**

7.1 Control Panel..... 75  
 7.2 Menu Structure..... 76  
 7.3 LCD Operation..... 77

**8 Troubleshooting..... 113**

8.1 Trouble Shooting.....113  
 8.2 Routine Maintenance..... 119

**9 Decommissioning..... 120**

9.1 Disassembling the Inverter.....120  
 9.2 Packaging.....120  
 9.3 Storage and Transportation.....120  
 9.4 Waste Disposal .....120

**10 Disclaimer..... 121**

\* WARRANTY REGISTRATION FORM

**1 Notes on this Manual**

**1.1 Scope of Validity**

This manual is an integral part of the inverter, it describes the assembly, installation, commissioning, maintenance and failure of the product. Please read it carefully before operating.

|              |              |                                 |               |
|--------------|--------------|---------------------------------|---------------|
| X3-Fit-6.0-W | X3-Fit-8.0-W | X3-Fit-10.0-W<br>X3-Fit-10.0K-W | X3-Fit-15.0-W |
| X3-Fit-6.0-M | X3-Fit-8.0-M | X3-Fit-10.0-M                   | X3-Fit-15.0-M |

Note: "**X3-Fit**" Series refers to the energy storage inverter that supports photovoltaic grid-connected.

"**6.0**" means 6.0kW.

"**10.0K-W**" is in compliance with C10/11.

"**W**" means that Matebox cannot be connected externally.

"**M**" means that matebox can be connected externally.


Keep this manual available at any time.


**1.2 Target Group**


This manual is for qualified electricians. The tasks described in this manual only can be performed by qualified electricians.


**1.3 Symbols Used**

The following types of safety instructions and general information appear in this document as described below:

|  |  |
|--|--|
|  | <b>Danger!</b><br>"Danger" refers to a dangerous situation that, if not avoided, will result in a high level of risk such as serious injury or even death. |
|--|--|

|   |   |
|---|---|
|  | <b>Warning!</b><br>"Warning" indicates a dangerous situation, which, if not avoided, may result in serious injury or death. |
|---|---|

|   |   |
|---|---|
|  | <b>Caution!</b><br>"Caution" indicates a hazardous situation which, if not avoided, could result in minor or moderate injury. |
|---|---|

|   |  |
|---|--|
|  | <b>Note!</b><br>"Note" provides tips that are valuable for the optimal operation of our product. |
|---|--|

### 1.3.1 Important Safety Instructions

|  |   |
|--|---|
|  | <p><b>Danger!</b></p> <p><b>Danger to life due to high voltages in the inverter!</b><br/>The personnel responsible for the installation, electrical connection, debugging, maintenance and fault handling operation of this product need to be trained, master the correct operation method, have the corresponding electrician qualification and safety operation knowledge.</p> |
|  | <p><b>Caution!</b></p> <p>When the inverter is working, it is strictly forbidden to touch the shell. The temperature of the shell is high and there is a risk of scalding.</p>  |
|  | <p><b>Caution!</b></p> <p><b>Radiation may be harmful to health!</b><br/>Do not stay for a long time and keep at least 20 cm away from the inverter.</p>  |
|  | <p><b>Note!</b></p> <p><b>Ground PV system.</b><br/>Finish PV modules and photovoltaic system grounding in accordance with local requirements to achieve optimal protection of systems and personnel.</p>   |
|  | <p><b>Warning!</b></p> <p>Ensure that the input DC voltage is below the inverter limit. Excessive DC voltage and current may cause permanent damage or other losses to the inverter, which is not covered by the warranty.</p>  |
|  | <p><b>Warning!</b></p> <p>Before performing maintenance, cleaning or operation on the circuit connected to the inverter, authorized maintenance personnel must first disconnect the AC and DC power supplies of the inverter.</p>   |

**Warning!**

Only operate the inverter when it is technically faultless.

**Warning!**

Risk of electric shock!

Strictly follow relevant safety specifications for product installation and testing. During installation, operation or maintenance, please read carefully and follow the instructions and precautions on the inverter or user manual. If the operation is incorrect, it may cause personal and property losses. Please keep the user manual properly after use.

This inverter can only use the accessories sold and recommended by our company, otherwise it may cause fire, electric shock or casualties.

Without the authorization of our company, you may not open the inverter cover or replace the inverter parts, otherwise the warranty promise of the inverter will be invalid.


The use and operation of the inverter must be carried out in accordance with the instructions in this manual, otherwise this protection will fail and the warranty of the inverter will also fail. During working, the inverter surface temperature may exceed 60°C, please make sure the inverter cools down before touching, and make sure children can not touch.

All AC power sources must be disconnected from the inverter for at least 5 minutes before any wiring or electrical operation is performed on the inverter to ensure complete isolation of the inverter and avoid electric shock.

Installation position should be away from wet environment and corrosive substances.

Use a multimeter (impedance at least 1 MΩ) to measure the voltage between the UDC and the UDC- to ensure that the inverter port is discharged below the safe voltage before starting operation (35 VDC).

### ➤ Surge protection devices (SPDs) for PV installation

|   |  |
|---|--|
|  | <p><b>Warning!</b></p> <p>Over-voltage protection with surge arresters should be provided when the PV power system is installed. The grid connected inverter is fitted with SPDs in both PV input side and MAINS side.</p> |
|---|--|

Direct or indirect lightning strikes can cause failures. Surge is the main cause of lightning damage to most devices. Surge voltage may occur at photovoltaic input or AC output, especially in remote mountain areas where long distance cable is supplied.

Please consult professionals before installing SPDs.

The external lightning protection device can reduce the influence of direct lightning strike, and the lightning protection device can release surge current to the earth.

If the building installed with external light protection device is far away from the inverter location, in order to protect the inverter from electrical and mechanical damage, the inverter should also install an external lightning protection equipment.

In order to protect the AC system, the level 2 surge protection equipment should be installed at the AC output, located between the inverter and the grid. Installation requirements must comply with IEC61643-21 standard.

### ➤ Anti-Islanding Effect


The islanding effect means that when the power grid is cut off, the grid-connected power generation system fails to detect the power outage and still supplies power to the power grid. This is very dangerous for the maintenance personnel and the power grid on the transmission line.

The inverter's use active frequency offset method to prevent islanding effect.

### ➤ PE Connection and Leakage Current

- All inverter's incorporate a certified internal Residual Current Monitoring (RCM) in order to protect against possible electrocution and fire hazard in case of a malfunction in the cables or inverter. There are 2 trip thresholds for the RCM as required for certification (IEC 62109-2:2011). The default value for electrocution protection is 30mA, and for slow rising current is 300mA.

- If an external residual current device (RCD) (type A is recommended) is mandatory, the switch must be triggered at a residual current of 300 mA (recommended). RCD of other specifications can also be used according to local standard.

|   |  |
|---|--|
|  | <p><b>Warning!</b></p> <p>High leakage Current!<br/>Earth connection essential before connecting supply.</p> |
|---|--|

- A faulty ground connection can result in equipment failure, personal and death injuries, and electromagnetic interference.
- Ensure correct according to grounding to IEC62109 and conductor diameter according to STANDARD specification.
- Do not connect the grounding end of the equipment in series to prevent multi-point grounding.
- Electrical appliances must be installed in accordance with the wiring rules of each country.

For United Kingdom

- The installation that connects the equipment to the supply terminals shall comply with the requirements of BS 7671.
- Electrical installation of PV system shall comply with requirements of BS 7671 and IEC 60364-7-712.
- All protective devices cannot be changed.
- User shall ensure that equipment is so installed, designed and operated to maintain at all times compliance with the requirements of ESQCR22(1)(a).




### ➤ Battery Safety Instructions

The inverter should pair with high voltage battery, for the specific parameters such as battery type, nominal voltage and nominal capacity etc., please refer to section 3.3. Please refer to the matching battery specification for details.




### 1.3.2 Explanation of Symbols








This section gives an explanation of all the symbols shown on the inverter and on the type label.

- Symbols on the Inverter

| Symbols   | Explanation   |
|---|---|
|  | Operating Display   |
|  | Battery status  |
|  | An error has occurred, please inform your installer immediately |

- Symbols on the Type Label

| Symbols   | Explanation  |
|---|--|
|    | CE mark.<br>The inverter complies with the requirements of the applicable CE guidelines. |
|    | TUV certified.   |
|  | RCM remark.  |

|   |  |
|---|--|
|  | Beware of hot surface.<br>The inverter can become hot during operation. Avoid contact during operation.  |
|  | Danger of high voltages.<br>Danger to life due to high voltages in the inverter!   |
|  | Danger.<br>Risk of electric shock!   |
|  | Observe enclosed documentation.  |
|  | The inverter can not be disposed together with the household waste. Disposal information can be found in the enclosed documentation.   |
|  | Do not operate this inverter until it is isolated from battery, mains and on-site PV generation suppliers.   |
|  | Danger to life due to high voltage. There is residual voltage existing in the inverter after powering off, which needs 5 min to discharge. Wait 5 min before you open the upper lid or the DC lid. |

### 1.3.3 EC Directives

This chapter describes the requirements of the European low voltage regulations, including safety instructions and system licensing conditions, the user must comply with these regulations when installing, operating, and maintaining the inverter, otherwise it will cause personal injury or death, and the inverter will cause damage.

Please read the manual carefully when operating the inverter. If you do not understand "danger", "warning", "caution" and the description in the manual, please contact the manufacturer or service agent before installing and operating the inverter.

Grid-connected inverter comply with low voltage directive (LVD) 2014/35/EU and Electromagnetic compatibility directive (EMC) 2014/30/EU. Detection of components is based on:  
Standard of 2014/35/EU (LVD)  
EN IEC 62109-1; EN IEC 62109-2  
EN IEC 62477-1

Standard of 2014/30/EU (EMC)  
EN IEC 61000-6-1; EN IEC 61000-6-2;  
EN IEC 61000-6-3; EN IEC 61000-6-4;  
EN IEC 61000-3-2; EN 61000-3-3;  
EN IEC 61000-3-11; EN 61000-3-12;  
EN 55011

For installation in photovoltaic module system, it is necessary to make sure that the whole system complies with the requirements of EC(2014/35/EU, 2014/30/EU, etc.) before starting the module (i.e. to start the operation). The assembly shall be installed in accordance with the statutory wiring rules. Install and configure the system in accordance with safety rules, including the use of specified wiring methods. The installation of the system can only be done by professional assemblers who are familiar with safety requirements and EMC. The assembler shall ensure that the system complies with the relevant national laws.

The individual subassembly of the system shall be interconnected by means of the wiring methods outlined in national/international such as the national electric code (NFPA) No. 70 or VDE regulation 4105.

## 2 Introduction

### 2.1 Basic Features

The inverter is a high-quality inverter that can convert solar energy into alternating current and store energy into batteries. The inverter can be used to optimize self-consumption, stored in batteries for future use or fed into the public grid. The way it works depends on user preferences. It can provide emergency power during power outages.

### 2.2 Electrical Block Diagram of the System

The inverter has two wiring schemes, customers can choose EPS compatible parts Load and EPS compatible with all load use. There are different ways of wiring in different countries, one is to connect N line with PE line, the other is to separate the line from the PE line wiring, see below;

**Diagram A: N line and PE line separate wiring;  
(For most countries)**

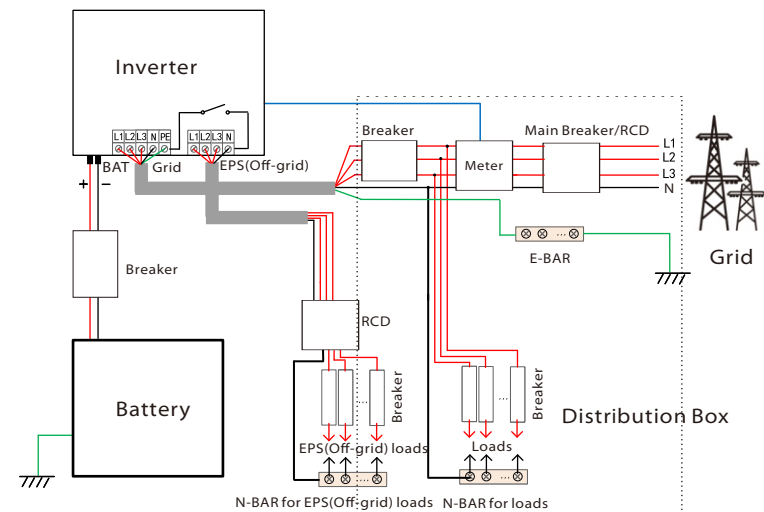


Diagram B: N line and PE line separate wiring;  
(For most countries)

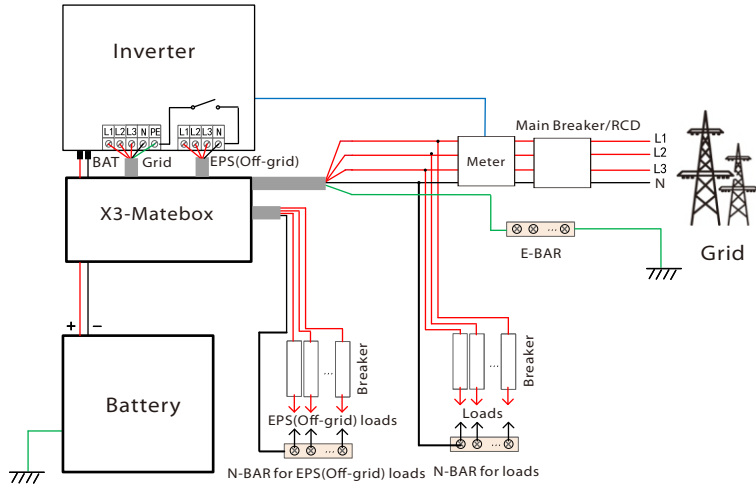


Diagram D: N line and PE line together;  
(Applicable to Australia)

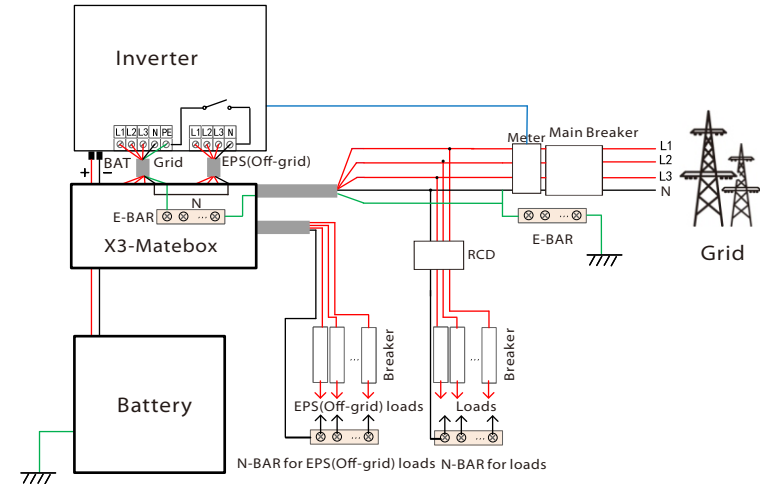
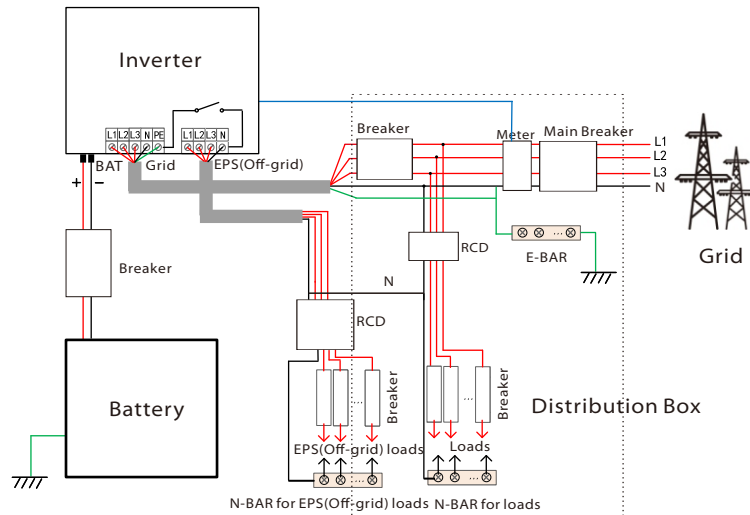


Diagram C: N line and PE line together;  
(Applicable to Australia)



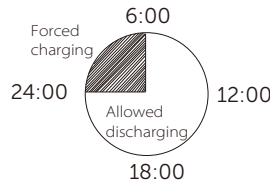
**Note!**

The RCD on the figure represents a leakage protection device with a circuit breaker function.

- When power cuts suddenly, the inverter connects the N line of EPS (Off-grid) load with the ground through relay, providing a fixed zero potential for EPS (Off-grid) load and ensuring the safety of electricity use by users.
- Please control the inverter load and make sure it is "output value" in "within " EPS (Off-grid) mode, otherwise the inverter will stop and alarm overload fault".
- Please confirm with the grid operator whether there are special regulations for grid connection.

### 2.3 Work Modes (with grid-tied inverter)

The inverter has two configurable working periods: allowed discharging period and forced charging period.



For how to set the two working periods, please refer to page 90.

The default value of allowed discharging period is 00:00~23:59, and the default value of forced charging period is 00:00~00:00 (closed in default). You can configure the two working periods by yourself.

As shown in the example above, the allowed discharging period is 6 am to 24 pm, and the forced charging period is 24 pm to 6 am.

#### • Forced charging period

The priority of forced charging period is higher than all work modes. In the forced charging period, the inverter will charge the battery first until the battery SOC reaches the value of "charge battery to".

#### • Allowed discharging period

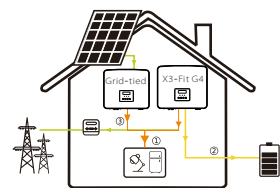
In the allowed discharging period, the inverter will allow the battery to discharge (but not force the battery to discharge).

The following work modes will take effect under the allowed discharging period.

The following introduction of work modes is on the premise that this inverter works with a grid-tied inverter.

For **on-grid** status, there are five work modes: Self Use, Feed-in Priority, Backup, Manual and Peak Shaving Mode.

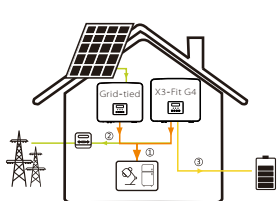
#### Self Use



The self-use mode is suitable for areas with low feed-in subsidies and high electricity prices. The power of PV will supply the loads first, and surplus power will charge the battery, then the remaining power will feed into the grid.

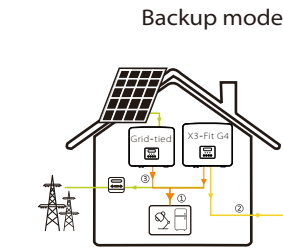
**Priority: Loads > Battery > Grid**

#### Feed-in priority



The feed-in priority mode is suitable for areas with high feed-in subsidies, but has feed-in power limitation. The power of PV will supply the loads first, and surplus power will feed into the grid, then the remaining power will charge the battery.

**Priority: Loads > Grid > Battery**



The back-up mode is suitable for areas with frequent power outages. This mode will maintain the battery capacity at relatively high level, to ensure that the emergency loads can be used when the grid is off. Same working logic with "Self-use" mode.

**Priority: Loads > Battery > Grid**

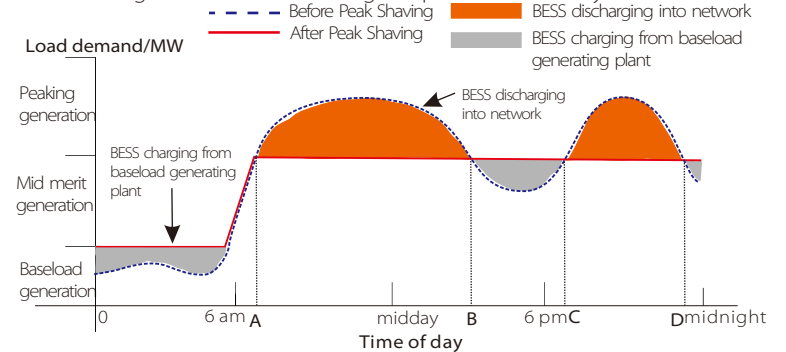
\* For the above three work modes, when the power of PV is insufficient to supply the loads, the battery will supply the loads. If the battery is insufficient, then the grid will supply the loads.

#### Manual

This work mode is for the after-sales team to do after-sales maintenance.

#### Peak Shaving Mode

Peak shaving mode is set for leaving out peaks in electricity use.



The D-A period is the battery charging period during which discharging is not allowed and the PV will charge the battery first for peak shaving. The "ChargeFromGrid" setting determines whether or not to charge from the grid. When "ChargeFromGrid" is set to "Disable", the battery cannot charge from the grid; when "ChargeFromGrid" is set to "Enable" and the actual battery SOC is less than "Max\_SOC", the battery will charge from the grid at no more than "ChargePowerLimits" power. In the A-B and C-D periods, if the power of loads does not exceed "PeakLimits", the PV will charge the battery first. When the battery is fully charged, the PV will charge loads, and the surplus power will feed into the grid. If the power of loads exceeds "PeakLimits", the PV and battery will discharge energy for loads and thus reduce the amount of energy purchased from the grid.

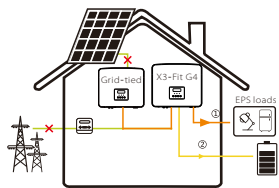
In the B-C period, the battery does not discharge. The PV will charge the battery to the "Reserved SOC" first and then supply power for loads, with the surplus power feeding into the grid. Charging the battery first in these periods is storing energy for the peak shaving.

\* If there are requirements for zero output from the inverter, the PV output will be limited.

For **off-grid** status, there is only one work mode: EPS (Off-grid).

#### EPS (Off-grid)

In case of power failure, the system will supply EPS loads through the battery. (The battery must be installed, and the EPS loads shall not exceed battery's max. output power.)



Priority: Loads > Battery

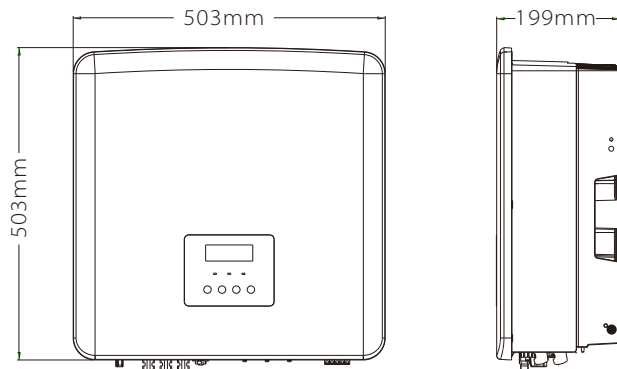
#### Note:

The battery will stop discharging when SOC=min SOC. But due to battery self consumption, sometimes SOC may < min SOC.

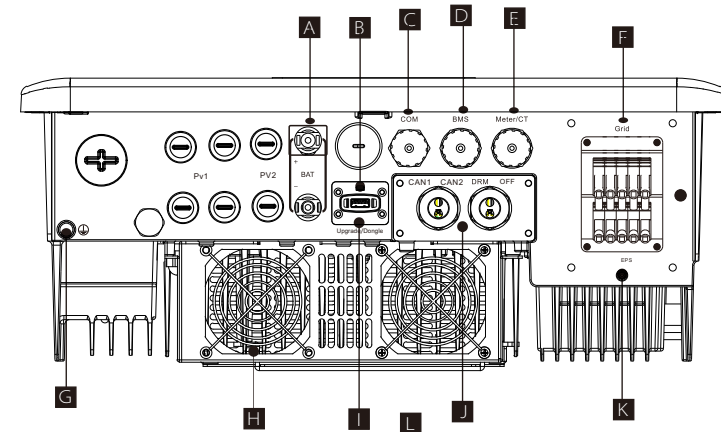
For on-grid status, if the battery SOC  $\leq$  (min SOC-5%), the inverter will take utility energy to charge battery SOC back to (min SOC+1%).

For off-grid status, if the battery SOC  $\leq$  min SOC, the inverter will be unable to enter EPS mode (the battery will be unable to discharge unless SOC is back to 31%).

## 2.4 Dimension



## 2.5 Terminals of Inverter



| Object | Description  |
|--------|--|
| A      | Battery connection port  |
| B      | USB port for upgrading   |
| C      | COM port   |
| D      | Battery communication  |
| E      | Meter/CT Port  |
| F      | Grid connection port   |
| G      | Ground connection port   |
| H      | Fans (only for 12.0kW and 15.0kW)  |
| I      | External monitoring connection port  |
| J      | CAN1 and CAN2 are for parallel communication / OFF is for external shutdown/ DRM Port (only for Australia) |
| K      | EPS(Off-grid) Output(main load connection port)  |



#### Warning!

Qualified electrician required for the installation.



### 3 Technical

#### 3.1 AC Output/Input

| Model  | X3-Fit-6.0-W<br>X3-Fit-6.0-M  | X3-Fit-8.0-W<br>X3-Fit-8.0-M | X3-Fit-10.0-W<br>X3-Fit-10.0K-W<br>X3-Fit-10.0-M | X3-Fit-15.0-W<br>X3-Fit-15.0-M |
|--|-------------------------------|------------------------------|--|--------------------------------|
| <b>AC Output</b>                               |                               |                              |  |                                |
| Rated Output Apparent Power [VA]               | 6000                          | 8000                         | 10000<br>(10.0K-W 9999)                          | 15000(PEA 14000)               |
| Max. Output Apparent power [VA]                | 6600                          | 8800                         | 11000<br>(10.0K-W 9999)                          | 15000                          |
| Nominal AC voltage [a.c. V]                    | 415/240; 400/230; 380/220     |                              |  |                                |
| Nominal AC frequency [Hz]                      | 50/60                         |                              |  |                                |
| Max. Output Continuous current [a.c. A]        | 9.7                           | 12.9                         | 16.1   | 24.1                           |
| Current (inrush)(at 50 μs) [a.c. A]            | 30                            |                              |  |                                |
| Rated Output Current [a.c. A]                  | 8.7                           | 11.6                         | 14.5   | 21.8                           |
| Power Factor Range                             | 1 (0.8 leading...0.8 lagging) |                              |  |                                |
| Total harmonic distortion(THDi)                | < 3%                          |                              |  |                                |
| Maximum output fault current (at 5ms) [a.c. A] | 68                            |                              |  |                                |
| Maximum output overcurrent protection [a.c. A] | 68                            |                              |  |                                |
| <b>AC Input</b>                                |                               |                              |  |                                |
| Rated AC power [W]                             | 12000                         | 16000                        | 20000  | 20000                          |
| Nominal AC voltage(range) [a.c. V]             | 415/240; 400/230; 380/220     |                              |  |                                |
| Nominal AC frequency [Hz]                      | 50/60                         |                              |  |                                |
| Max. AC current [a.c. A]                       | 19.3                          | 25.8                         | 32.0   | 32.0                           |

#### 3.2 Battery

| Model   | X3-Fit-6.0-W<br>X3-Fit-6.0-M            | X3-Fit-8.0-W<br>X3-Fit-8.0-M | X3-Fit-10.0-W<br>X3-Fit-10.0K-W<br>X3-Fit-10.0-M | X3-Fit-15.0-W<br>X3-Fit-15.0-M |
|---|---|------------------------------|--|--------------------------------|
| Battery type                                      | Lithium-ion battery / Lead-acid battery |                              |  |                                |
| Battery voltage range [d.c. V]                    | 180-800                                 |                              |  |                                |
| Max. continuous charge/discharge current [d.c. A] | 30A                                     |                              |  |                                |
| Communication interface                           | CAN/RS485                               |                              |  |                                |
| Reverse connection protection                     | Yes                                     |                              |  |                                |

#### 3.3 Efficiency, Safety and Protection

| Model   | X3-Fit-6.0-W<br>X3-Fit-6.0-M   | X3-Fit-8.0-W<br>X3-Fit-8.0-M | X3-Fit-10.0-W<br>X3-Fit-10.0K-W<br>X3-Fit-10.0-M | X3-Fit-15.0-W<br>X3-Fit-15.0-M |
|---|--|------------------------------|--|--------------------------------|
| Battery discharge efficiency (BAT to AC)(@ full load) | 97.5%  | 97.5%                        | 97.5%  | 97.5%                          |
| <b>Security &amp; Protection</b>                      |  |                              |  |                                |
| Safety  | EN/IEC 62109-1 / -2  |                              |  |                                |
| Grid Monitoring                                       | VDE4105, G99, G98, AS4777, EN 50549, CEI 0-21, IEC 61727, PEA / MEA, NRS-097-2-1, RD 1699, TOR |                              |  |                                |
| AC SPD Protection                                     | Integrated   |                              |  |                                |
| Over/under voltage protection                         | YES  |                              |  |                                |
| Grid protection                                       | YES  |                              |  |                                |
| Back feed current monitoring                          | YES  |                              |  |                                |
| Residual current detection                            | YES  |                              |  |                                |
| Active anti-islanding method                          | Frequency Shift  |                              |  |                                |
| Over load protection                                  | YES  |                              |  |                                |
| Over heat protection                                  | YES  |                              |  |                                |
| Array insulation resistance detection                 | YES  |                              |  |                                |

#### 3.4 EPS (Off-grid) Output

| Model                                | X3-Fit-6.0-W<br>X3-Fit-6.0-M | X3-Fit-8.0-W<br>X3-Fit-8.0-M | X3-Fit-10.0-W<br>X3-Fit-10.0K-W<br>X3-Fit-10.0-M | X3-Fit-15.0-W<br>X3-Fit-15.0-M |
|--------------------------------------|------------------------------|------------------------------|--|--------------------------------|
| EPS(Off-grid) rated power [VA]       | 6000                         | 8000                         | 10000  | 15000                          |
| EPS(Off-grid) rated voltage [a.c. V] | 400V/230VAC                  |                              |  |                                |
| Frequency [ Hz]                      | 50/60                        |                              |  |                                |
| EPS(Off-grid) rated current [a.c. A] | 8.7                          | 11.6                         | 14.5   | 21.8                           |
| EPS(Off-grid) Peak Power [VA]        | 12000, 10s                   | 18000, 10s                   | 18000, 10s                                       | 22500, 10s                     |
| Switching time [s]                   | <10ms                        |                              |  |                                |
| Total harmonic distortion (THDv)     | < 3 %                        |                              |  |                                |

### 3.5 Generic Data

| Model                                   | X3-Fit-6.0-W<br>X3-Fit-6.0-M   | X3-Fit-8.0-W<br>X3-Fit-8.0-M | X3-Fit-10.0-W<br>X3-Fit-10.0K-W<br>X3-Fit-10.0-M | X3-Fit-15.0-W<br>X3-Fit-15.0-M |
|---|--|------------------------------|--|--------------------------------|
| Dimensions (W/H/D)[mm]                  | 503*503*199  |                              |  |                                |
| Dimensions of Packing (W/H/D)[mm]       | 560*625*322  |                              |  |                                |
| Net weight [kg]                         | 30±1   | 30±1                         | 30±1   | 30±1                           |
| Gross weight * [kg]                     | 34±1   | 34±1                         | 34±1   | 34±1                           |
| Heat dissipation treatment              | Natural Cooling  |                              |  | Smart Cooling                  |
| Noise emission(typical) [dB]            | <35  |                              |  | <45                            |
| Storage temperature range [°C]          | -40 to +70   |                              |  |                                |
| Operating Ambient Temperature Range[°C] | -35 to +60 (derating at 45)  |                              |  |                                |
| Humidity [%]                            | 0% to 100%   |                              |  |                                |
| Altitude [m]                            | <3000  |                              |  |                                |
| Ingress Protection                      | IP65   |                              |  |                                |
| Protective Class                        | I  |                              |  |                                |
| Cold standby consumption                | <5W  |                              |  |                                |
| Overvoltage category                    | III(MAINS), II(PV, Battery)  |                              |  |                                |
| Pollution Degree                        | III  |                              |  |                                |
| Installation mode                       | Wall mounted   |                              |  |                                |
| Inverter Topology                       | Non-isolated   |                              |  |                                |
| Communication interface                 | Meter (optional), external control RS485, Pocket WiFi (optional: Pocket Lan/ 4G), DRM, USB Upgrade, NTC (optional) |                              |  |                                |

\* The specific gross weight is subject to the actual situation of the whole machine.

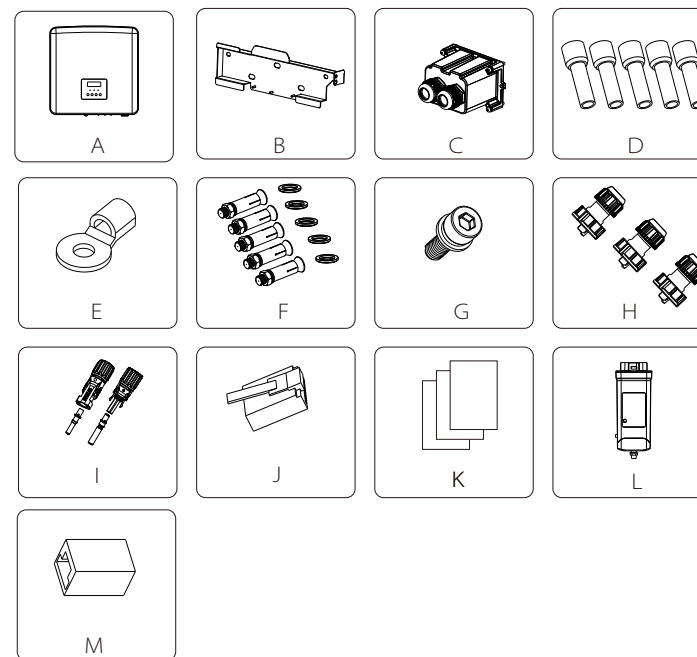
## 4 Installation

### 4.1 Check for Transport Damage

Ensure that the inverter is in good condition via transportation. If there is any visible damage such as cracks, please contact the dealer immediately.

### 4.2 Packing List

Open the package and check the materials and accessories according to the following list.



| Number | Quantity | Description   |
|--------|----------|---|
| A      | 1        | Inverter.   |
| B      | 1        | Bracket   |
| C      | 1        | AC protective cover                                   |
| D      | 12       | 6 mm <sup>2</sup> ferrules                            |
| E      | 1        | OT terminal   |
| F      | 5        | (Expansion tubes, expansion bolts, screws, washers)   |
| G      | 1        | M5 inner hexagon screw                                |
| H      | 3        | Waterproof connectors with RJ45                       |
| I      | 2        | Positive & negative battery connectors & pin contacts |
| J*     | 6        | RJ 45 terminals                                       |
| K      |          | Documents   |
| L      | 1        | WiFi Dongle (optional)                                |
| M      | 1        | RJ45 connector  |

Note: " J " The inverter in Australia needs to be connected to DRM, which is 1 more communication line adapter than that in other countries.

For the optional accessories, please be subject to the actual delivery.

### 4.3 Installation Precautions

The protection level of the inverter is IP 65, so that the inverter can be installed outdoors.

Check the installation environment and pay attention to the following conditions when installing:

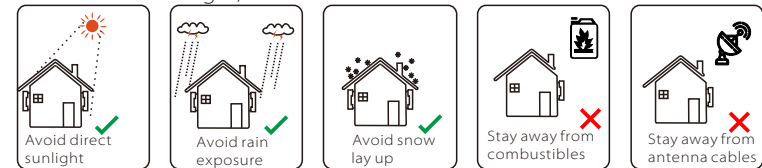
- Do not expose to strong light.
- Do not touch flammable building materials.
- Do not approach flammable and explosive gases or liquids (e.g. where chemicals are stored).
- Do not touch cold air directly.
- Do not approach TV antenna or cable.
- Do not place in areas above 3000 meters above sea level.
- Do not install in precipitation or high humidity, which may cause corrosion or damage Internal devices.
- Keep the system out of reach of children.

If the inverter is installed in a narrow area, be sure to reserve appropriate space for heat dissipation.

The ambient temperature of the installation site is -35°C~60°C.

The maximum angle range of wall tilt  $\pm 5^\circ$ .


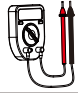
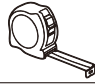



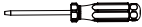
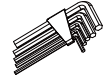


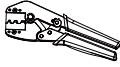

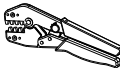


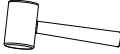
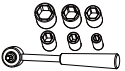







Avoid direct sunlight, rain and snow weather.










#### Note!

- For outdoor installation, precautions against direct sunlight, rain exposure and snow accumulation are recommended.
- Exposure to direct sunlight raises the temperature inside the device. This temperature rise poses no safety risks, but may impact the device performance.

### 4.4 Tool preparation

| Tool equipment              |                              |   |  |   |
|-----------------------------|------------------------------|---|--|---|
| Type                        | Name                         | Image   | Name   | Image   |
| Machine Installation Tools  | Hammer drill (Bit $\Phi 8$ ) |    | Multimeter<br>DC Voltage<br>Range $\geq 1100$ V DC |    |
|                             | Measuring tape               |    | Utility knife                                      |    |
|                             | Marker                       |    | Cross screwdriver                                  |    |
|                             | Flat-head screwdriver        |    | Allen key  |    |
|                             | Wire stripper                |    | Crimping tool for RJ45                             |    |
|                             | MC4 Crimping tool            |    | Diagonal pliers                                    |    |
|                             | Crimping tool                |    | Crimping tool for ferrules                         |    |
|                             | Wire cutter                  |   | Rubber mallet                                      |   |
|                             | Torque wrench                |  | Spirit level                                       |  |
|                             | Heat gun                     |  | $\Phi 6$ mm Heat shrink tubing                     |  |
| Individual Protection Tools | Safety gloves                |  | Safety boots                                       |  |
|                             | Safety goggles               |  | Anti-dust mask                                     |  |

| Type                  | Name                    | Image   | Requirement  |
|-----------------------|-------------------------|---|--|
| Equipment Preparation | Breaker                 |    | Grid port and EPS(Off-grid) port wiring section (4.5.2)  |
| Cable Preparation     | PV end wire             |    | Dedicated PV wire, line number #4 mm <sup>2</sup> withstand voltage 1000V, temperature resistance 105°C fire resistance grade VW-1 |
|                       | EPS (Off-grid) end wire |    | Five-core cable  |
|                       | Grid end wire           |    | Five-core cable  |
|                       | Communication lines     |    | Twisted pair with shield   |
|                       | Battery Cable           |   | Conventional wire  |
|                       | PE Cable                |  | Conventional wire  |

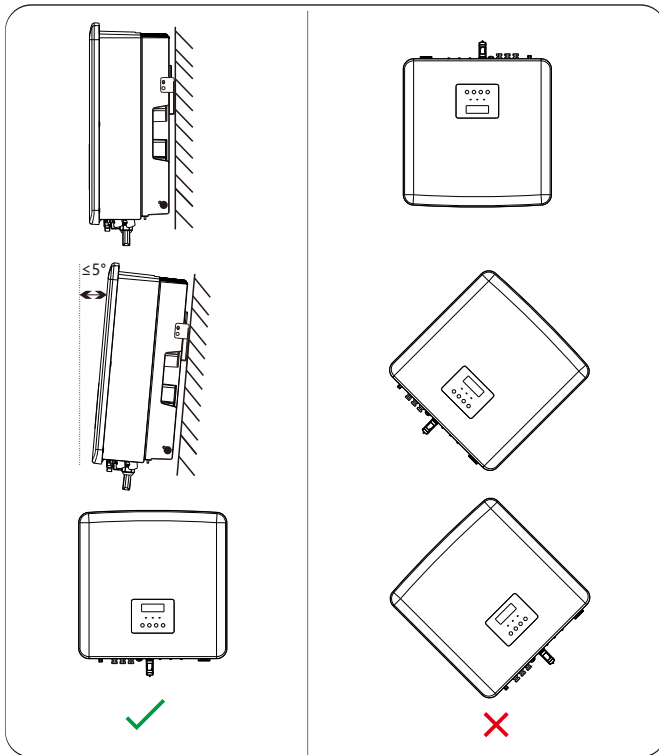
### 4.5 Installation Site Conditions

#### 4.5.1 Installation Carrier Requirements

Do not install the inverter near flammable materials.  
 Please install the inverter on a solid object that can withstand the weight requirements of the inverter and energy storage system.  
 Please be careful not to install the inverter in the plasterboard wall or similar to the residential places with poor sound insulation, so as not to work with noise and interfere with the residents' life in the morning.

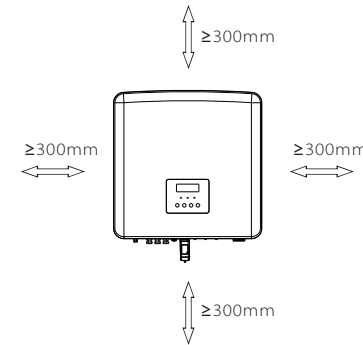
#### 4.5.2 Installation Requirements

Install the inverter at a maximum back tilt of 5 degrees, the inverter can not be tilted forward, inverted, excessive back tilted or side tilted.



### 4.5.3 Installation Space Requirements

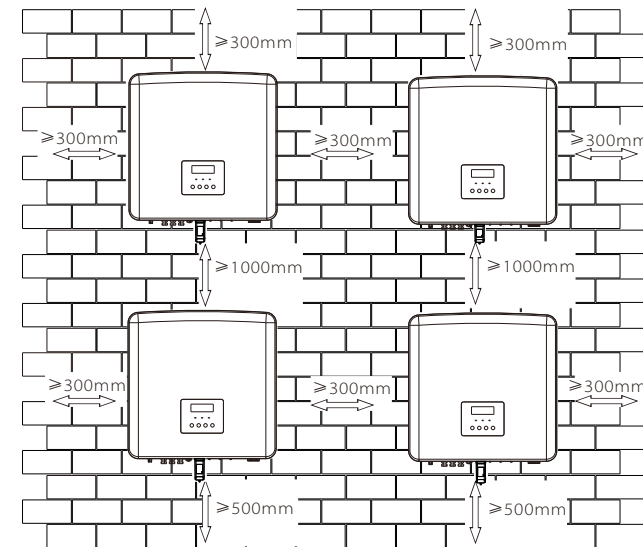
Reserve enough space when installing inverter (at least 300mm) for heat dissipation.



Reserved space dimensions of installation

| Position | Min Distance |
|----------|--------------|
| Left     | 300mm        |
| Right    | 300mm        |
| Up       | 300mm        |
| Down     | 500mm        |

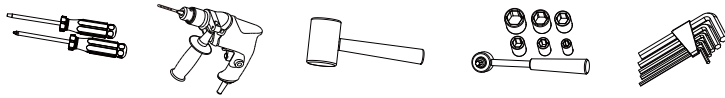
For multi-inverter installation scenarios, the inline installation method is recommended; when the space is insufficient, the recommended method of installation in the form of "products"; it is not recommended to install multiple inverters in stacks. If you choose stack installation, please refer to the installation separation distance below.



### 4.6 Mounting

#### > Preparation

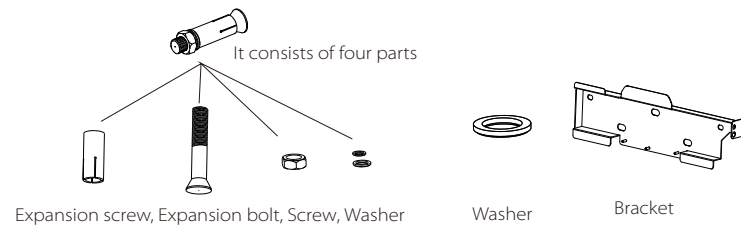
Please prepare the following tools before installation.



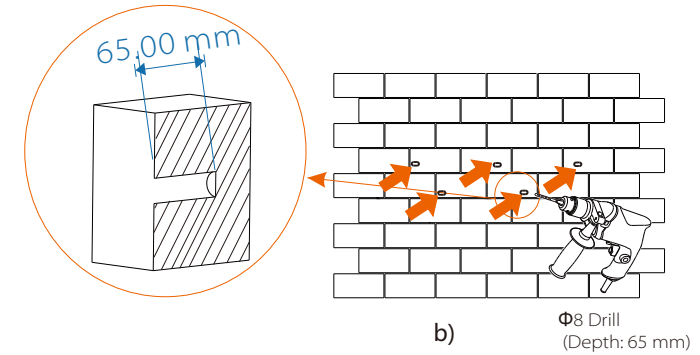
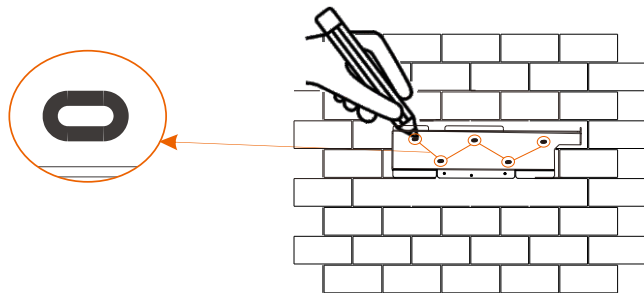
Installation tools: screwdriver, wrench,  $\Phi 8$  drill, rubber hammer, socket wrench set and Hexagon keys.

#### > Step 1: Fix the wall bracket to the wall

First find the expansion screw and the bracket in the accessory bag, as shown below:

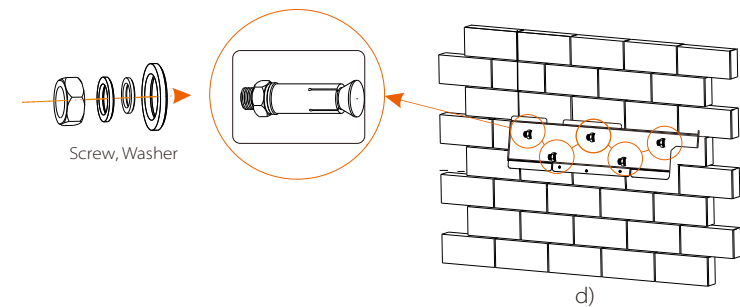
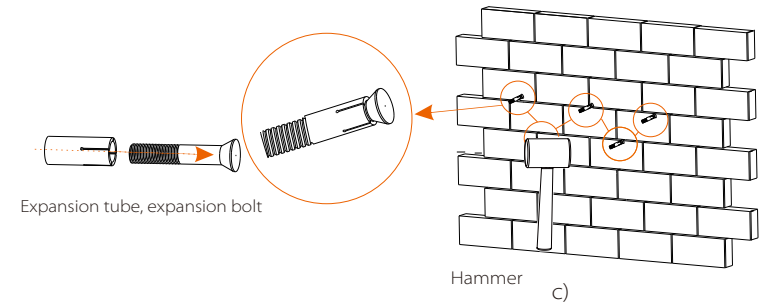


- a) Use a spirit level and a marker to mark drilling holes of the bracket on the wall.
- b) Drill holes at marked spots with depth of 65 mm.



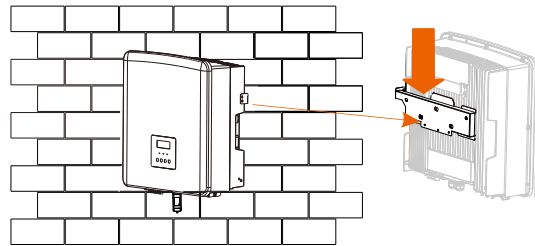
#### > Step 2: hang the inverter on the bracket

- c) Insert an expansion bolt into an expansion tube and then insert them into the hole, use rubber hammer to knock them into the wall;
- d) Hang the bracket on the expansion bolts on the wall, put different types of washers into the bolts and then use the inner hexagonal wrench to screw the screw until a "bang" is heard.

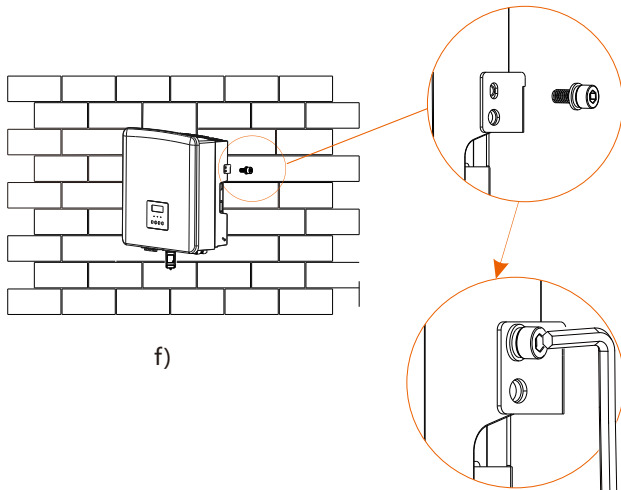


➤ Step 3: Tighten the inverter and bracket

- e) Hang the buckle on the inverter to the corresponding position of the backplane;
- f) Use the inner hexagonal wrench to tighten the inner hexagonal screw on the right side of the inverter.



e)



f)

Allen key  
(Torque:2.0±0.2 N·m)

## 5 Electrical Connections

### 5.1 Grid Port and EPS(Off-grid) Output Connection

The inverter are three-phase inverter. Suitable for rated voltage 380/400/415V, frequency 50/60Hz. Other technical requests should comply with the requirement of the local public grid.

➤ Grid port connection

Grid Cable and Micro-breaker recommended

| Model          | X3-Fit-6.0-W<br>X3-Fit-6.0-M | X3-Fit-8.0-W<br>X3-Fit-8.0-M | X3-Fit-10.0-W<br>X3-Fit-10.0K-W<br>X3-Fit-10.0-M | X3-Fit-15.0-W<br>X3-Fit-15.0-M |
|----------------|------------------------------|------------------------------|--|--------------------------------|
| Cable (copper) | 4~6mm <sup>2</sup>           | 4~6mm <sup>2</sup>           | 5~6mm <sup>2</sup>                               | 5~6mm <sup>2</sup>             |
| Micro-Breaker  | 20A                          | 32A                          | 40A  | 40A                            |

EPS(Off-grid) Cable and Micro-breaker recommended

| Model          | X3-Fit-6.0-W<br>X3-Fit-6.0-M | X3-Fit-8.0-W<br>X3-Fit-8.0-M | X3-Fit-10.0-W<br>X3-Fit-10.0K-W<br>X3-Fit-10.0-M | X3-Fit-15.0-W<br>X3-Fit-15.0-M |
|----------------|------------------------------|------------------------------|--|--------------------------------|
| Cable (copper) | 4~6mm <sup>2</sup>           | 4~6mm <sup>2</sup>           | 4~6mm <sup>2</sup>                               | 4~6mm <sup>2</sup>             |
| Micro-Breaker  | 16A                          | 20A                          | 25A  | 32A                            |

The load should not be directly connected to the inverter.

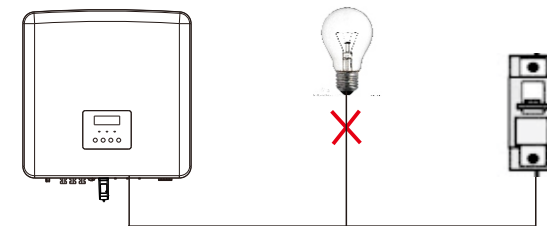


Figure: Wrong connection of load and inverter

### 5.2 EPS(Off-grid) Block Diagram

The inverter has an EPS (Off-grid) function. When the grid is connected, the inverter outputs go through the Grid port, and when the grid is disconnected, the inverter outputs go through the EPS (Off-grid) port. The EPS (Off-grid) function can be connected to part of the load, Please refer to the following diagram for the wiring. If you want to save installation time, you will need an accessory. If you need a solution, please contact our sales staff.

#### ➤ EPS (Off-grid) wiring diagram

For to different local wiring rules, please refer to the diagram below Please select the appropriate wiring method according to local wiring rules.

Diagram A: N line and PE line separate wiring;  
(For most countries)

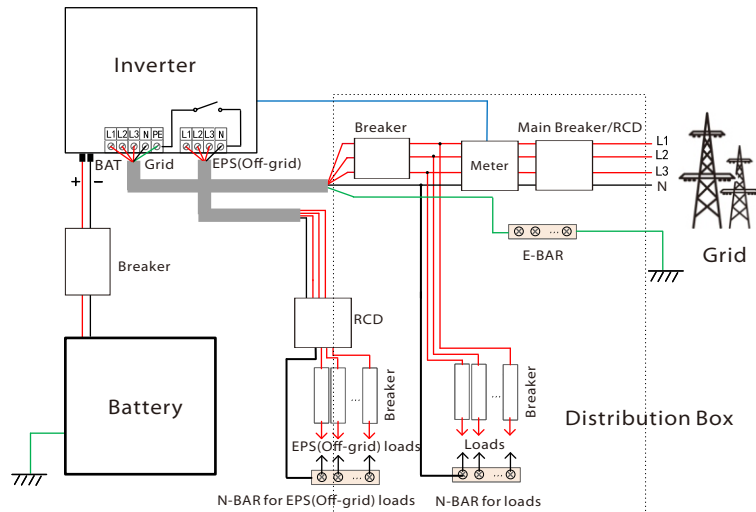


Diagram B: N line and PE line separate wiring;  
(For most countries)

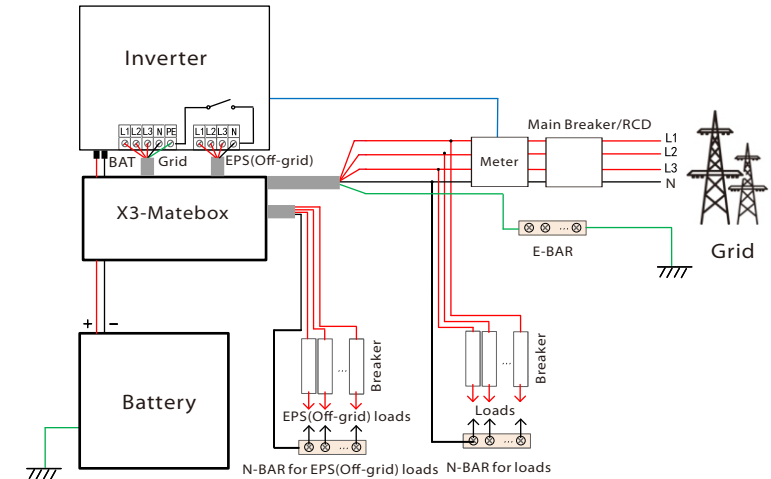


Diagram C: N line and PE line together;  
(Applicable to Australia)

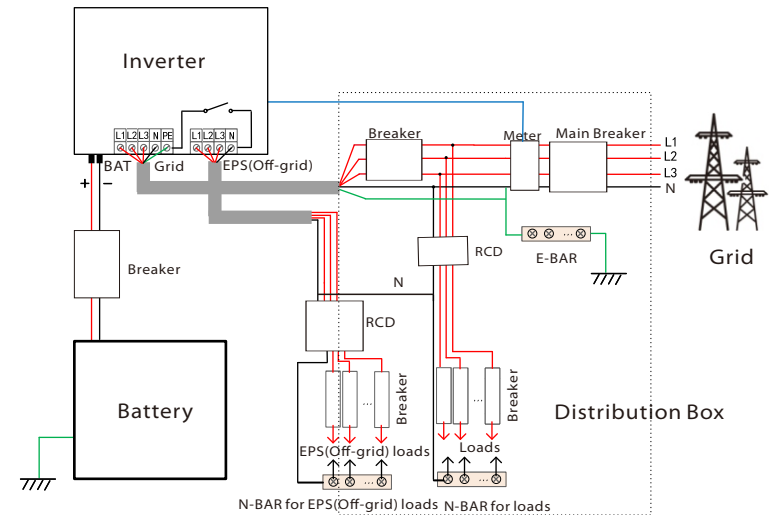
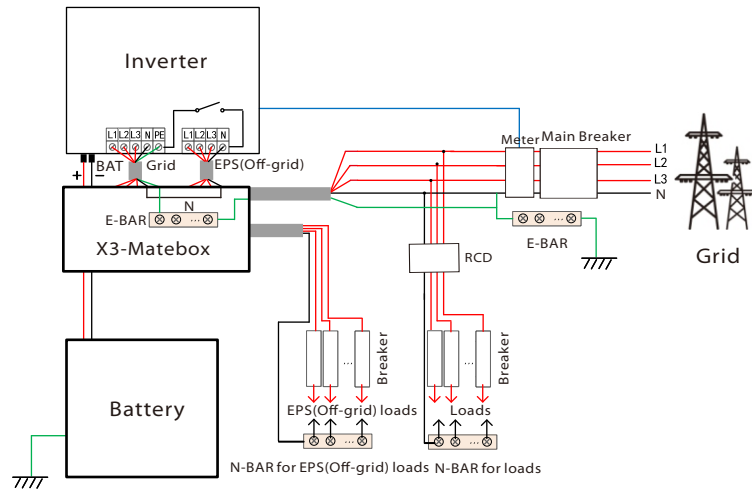





Diagram D: N line and PE line together, all load connection EPS (Off-grid) scheme;(Applicable to Australia)




X3-Matebox is a convenient wiring accessory. Please refer to X3-Matebox for details. If you need to purchase X3-Matebox, please contact us.

 The RCD on the figure represents a leakage protection device with a circuit breaker function. To use X3-Matebox's **Diagram B** and **Diagram D**, you need to set "X3-Matebox" to "Enable" in "Settings"; The Australian customer must shorten the N lines of the Grid and the EPS(Off-grid) in the X3-Matebox. If your local wiring method does not follow the above operation guide, especially the neutral wire, ground wire, RCD wire, please contact our company before operation.

➤ EPS (Off-grid) load requirements

**Warning!**




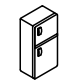
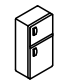
Ensure that the EPS (Off-grid) load rated power is within the EPS (Off-grid) rated output power range, otherwise, the inverter will report an "overload" warning.

 When "overload" occurs, adjust the load power to make sure it is within the EPS (Off-grid) rated output power range, and the inverter will automatically return to normal.

For non-linear loads, ensure that the inrush current power is within the EPS (Off-grid) rated output power range. When the configuration current is less than the maximum DC input current, the capacity and voltage of lithium and lead acid will decrease linearly.

The following table shows some common loads for your reference.

Note: Please check with the manufacturer for high-power inductive loads.

| Content        | Power |       | Common equipment   | Instance  |               |           |
|----------------|-------|-------|--|---|---------------|-----------|
|                | Start | Rated |  | Equipment   | Start         | Rated     |
| Resistive load | X 1   | X 1   | <br>Incandescent lamp   |  100W<br>Incandescent lamp | 100VA (W)     | 100VA (W) |
| Inductive load | X 3~5 | X 2   |  <br>Fan      Fridge |  150W<br>Fridge          | 450-750VA (W) | 300VA (W) |

Note: The EPS load of the inverter does not support a half-wave load, and the half-wave load cannot be used here.

➤ **Grid and EPS (Off-grid) connection steps**

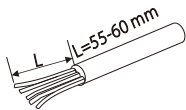
- Connection requirements

Note: Check the grid voltage and compare the voltage range (see technical data).

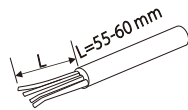
Disconnect the circuit board from all power sources to prevent electric shock.

The Grid and the EPS (Off-grid) ports of the inverter have been connected, for specific installation details, please refer to the X3-Matebox Quick Installation Guide. And the inverter needs to be wired according to the following steps.

**Step 1.** Prepare a Grid cable (five-core wire) and an EPS (Off-grid) cable (four-core wire), and then find the ferrules and AC protective cover in the accessory bag.



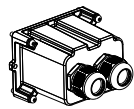
6 mm<sup>2</sup> Grid (Five-Core Cable)



6 mm<sup>2</sup> EPS (Off-grid)(Four-Core Cable)

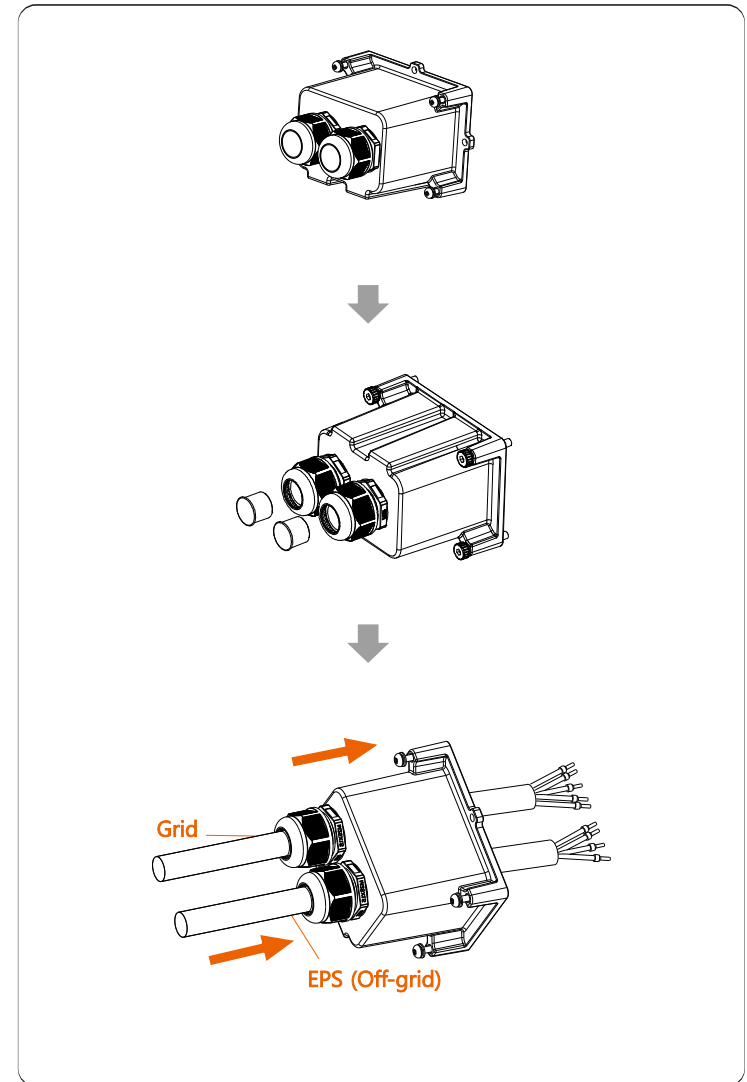


6 mm<sup>2</sup> ferrules\*10

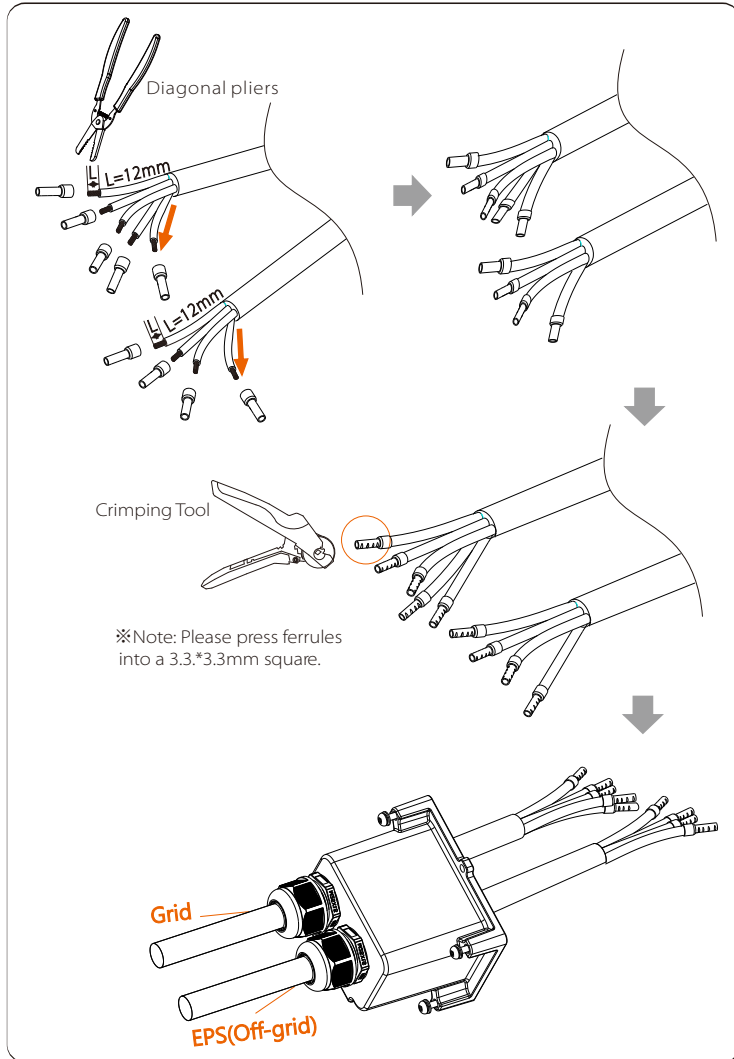


AC protective cover

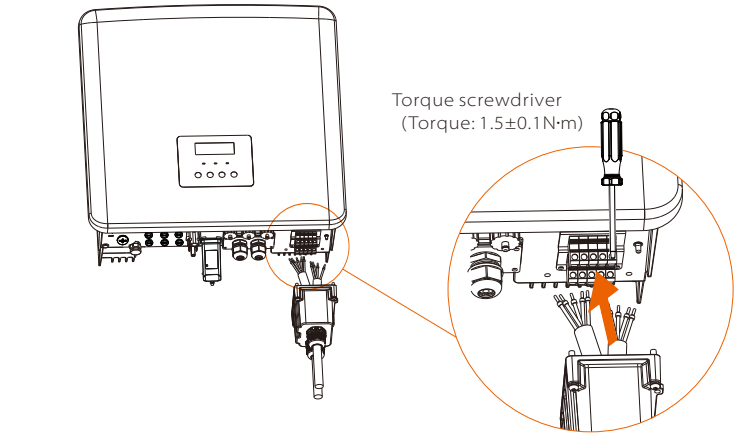
**Step 2.** First remove the waterproof housing plug, and then the Grid and EPS (Off-grid) cables through the waterproof housing corresponding to the Grid and EPS (Off-grid) ports.



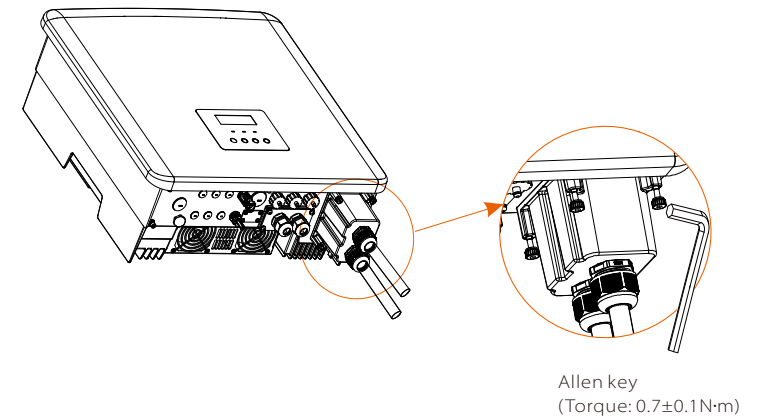
**Step 3.** Remove the 12mm insulation layer at the end of the wire. Insert ferrules respectively, and make sure that the stripped ends are inserted into ferrules, and finally use crimping pliers to press tightly.



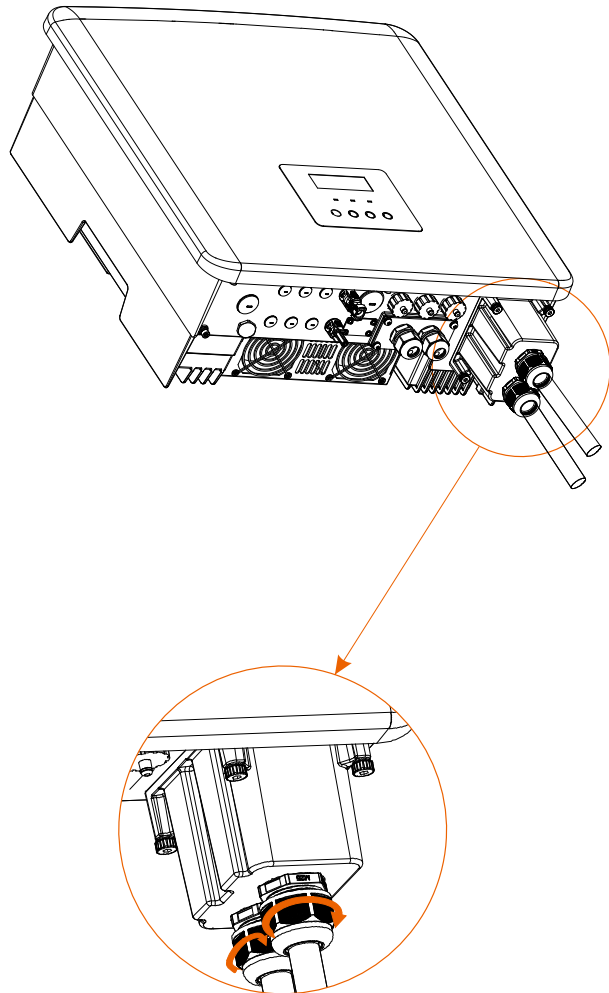
**Step 4.** Find the location of the AC interface on the inverter, insert the crimped terminals into the UW10 terminals L1, L2,L3,N, and PE according to the wire sequence, and use a flat-blade screwdriver to tighten the screws. (Torque:  $1.5\pm 0.1\text{N}\cdot\text{m}$ )



**Step 5.** Install the AC protective cover, and tighten the screws on the four sides of the cover with an Hexagon keys.



Step 6. Tighten the waterproof fastening head.



### 5.3 Battery Connection

#### ➤ Connection requirements

The inverter charge and discharge system can be equipped with high voltage lithium battery .

Please note that the maximum voltage of the battery should not exceed 650 V, battery communication should be compatible with the inverter.

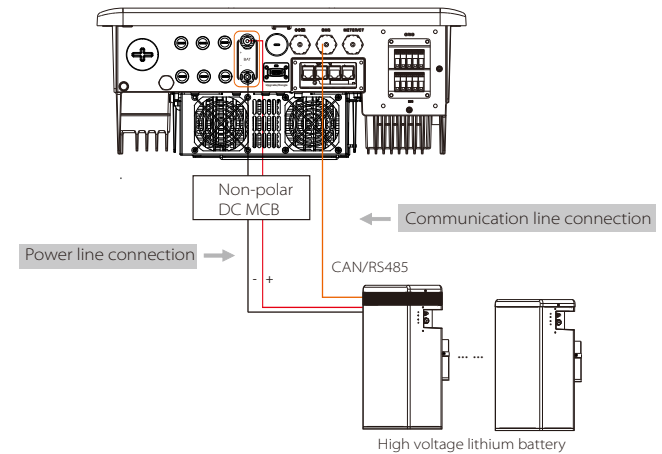
#### ➤ Battery Breaker

Before connecting the battery, a non-polar DC MCB must be installed to ensure safety.

Before maintenance, the inverter need to be safely disconnected.

| Model      | X3-Fit-60-W<br>X3-Fit-60-M  | X3-Fit-80-W<br>X3-Fit-80-M | X3-Fit-100-W<br>X3-Fit-100K-W<br>X3-Fit-100-M | X3-Fit-150-W<br>X3-Fit-150-M |
|------------|---|----------------------------|---|------------------------------|
| Voltage    | Nominal voltage of DC breaker should be larger than maximum voltage of battery. |                            |   |                              |
| Current[A] | 32A   |                            |   |                              |

#### ➤ Battery connection diagram



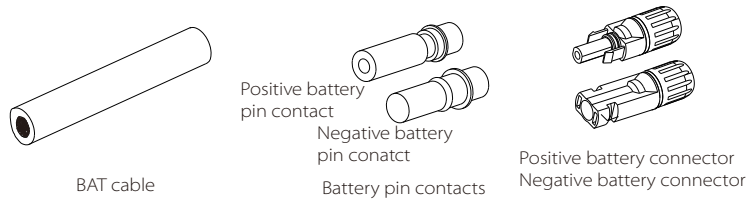
|                    | Battery Control     | Battery Modules     |
|--------------------|---------------------|---------------------|
| Battery & Quantity | T-BAT 5.8 (1 pc)    | HV11550 (1-3 pcs)   |
| Battery & Quantity | MC0600 (1 pc)       | HV10230 (2-4 pcs)   |
| Battery & Quantity | TBMS-MCR0800 (1 pc) | TP-HR25 (4~13 pcs)* |
| Battery & Quantity | TBMS-MCR0800 (1 pc) | TP-HR36 (4~13 pcs)* |
| Battery & Quantity | TBMS-MCS0800 (1 pc) | TP-HS25 (4~13 pcs)* |
| Battery & Quantity | TBMS-MCS0800 (1 pc) | TP-HS36 (4~13 pcs)* |
| Battery & Quantity | TBMS-S51-8 (1 pc)   | TB-HS51 (3~13 pcs)  |

Note:  
HV11550 battery modules have V1 and V2 versions, V1 and V2 with the same number of inverters, the specific collocation can refer to the relevant part of the battery manual.

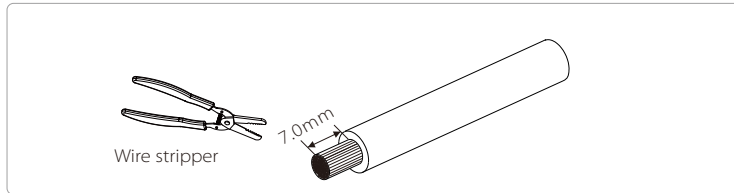
➤ **Battery connection steps**

Battery port connection line of the inverter is on the X3-Matebox, for specific installation details, please refer to the X3-Matebox Quick Installation Guide. It is necessary to wire the inverter according to the following steps.

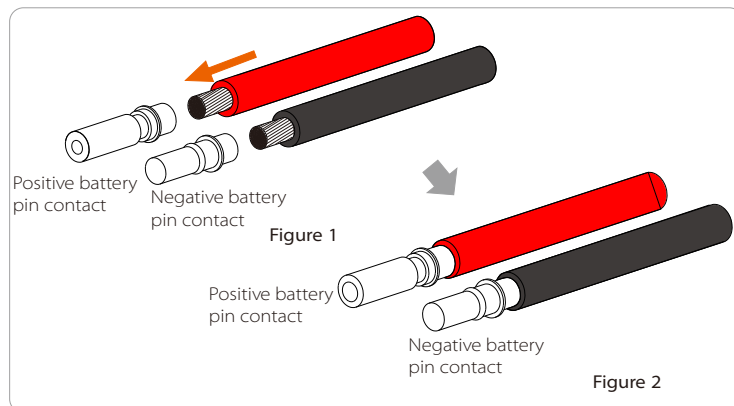
**Step 1.** Turn off the DC switch, connect the BAT module, prepare a 6 mm<sup>2</sup> BAT cable, and find a positive pin contact and a negative pin contact in the package.



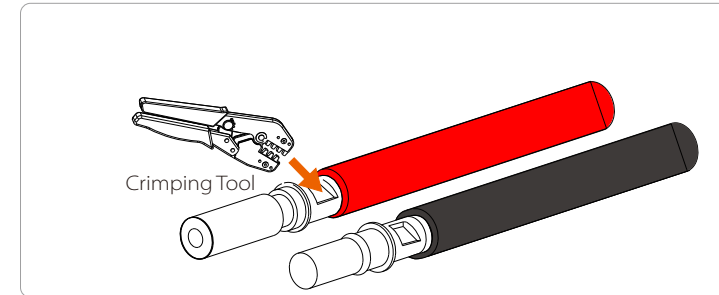
**Step 2.** Use a wire stripper to strip the 7mm insulation layer of the wire end.



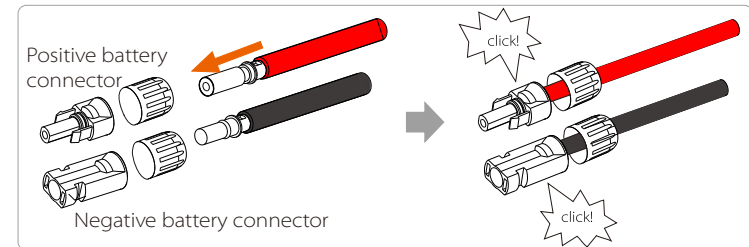
**Step 3.** Tighten the cable with the insulation layer stripped and insert it into battery pin contacts (see Figure 1), make sure all wires are well connected (see Figure 2).



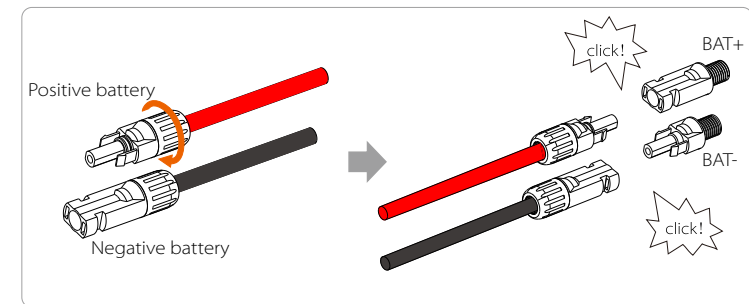
**Step 4.** Tighten the BAT pin needle and the wiring harness to make the connection tight without looseness.



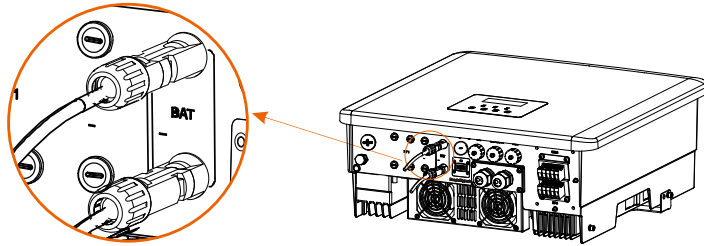
**Step 5.** The battery connectors are divided into 2 parts - the plug and the fastening head. Insert the cable through the fastening head and the opposite plug. Note that the red and black lines correspond to different of plugs. Finally, force the cable pair into the plug, will a "click" sound, which indicates that the connection is complete.



**Step 6.** Tighten the fastening head and into insert the corresponding positive and negative (BAT-/BAT+) ports of the inverter.



**Step 7.** Insert the battery power lines into the corresponding BAT port (+), (-) of the inverter.

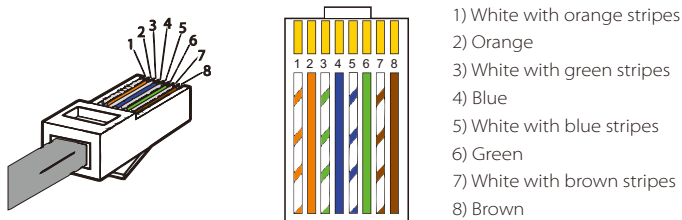


Note: BAT port, not PV port!  
 Note: The positive and negative wires of the battery are not allowed to be reversed!

➤ **Communication connection**

BMS port definition

The communication interface between the inverter and the battery uses the waterproof connector with RJ 45.



| 1 | 2 | 3 | 4        | 5        | 6 | 7        | 8        |
|---|---|---|----------|----------|---|----------|----------|
| X | X | X | BMS_CANH | BMS_CANL | X | BMS_485A | BMS_485B |

**Note!** After the BMS communication between the battery and the inverter is finished, the battery will work normally.

**5.4 Communication Connection (COM/ Meter/ CT/ CAN1/ CAN2/ DRM/ OFF port)**

**5.4.1 Introduction to COM Communication**

COM communication interface is mainly provided for customization the second step of development use. The inverter supports the control of external equipment or external equipment control through communication. For example, the inverter adjusts the working mode of the heat pump and so on.

➤ **COM PIN Definition**

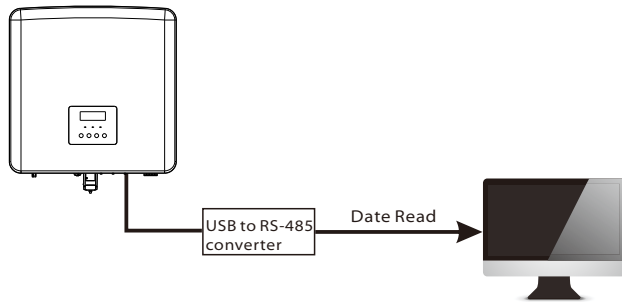
|  | 1                | 2                | 3    | 4    | 5    | 6   | 7                 | 8                 |
|--|------------------|------------------|------|------|------|-----|-------------------|-------------------|
|  | Drycontact_A(in) | Drycontact_B(in) | +13V | 485A | 485B | GND | Drycontact_A(out) | Drycontact_B(out) |

**Note!** Customers can communicate or control the inverter and external devices through the COM interface. Professional users can use pins 4 and 5 to realize data acquisition and external control functions. The communication protocol is Modbus RTU. For details, please contact us. If the user wants to use the inverter dry contact to control external equipment (such as a heat pump), it can be used with our's Adapter Box. For details, please refer to the Quick Installation Manual of the Adapter Box.

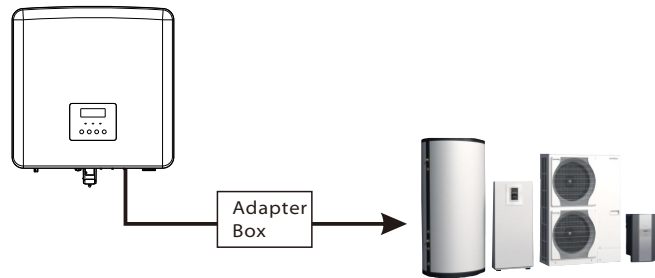
➤ Application occasion

COM is a standard communication interface, through which the monitoring data of the inverter can be directly obtained. Also, external communication devices can be connected to carry out the secondary development of the inverter. For specific technical docking, please contact us.

External communication equipment controls the inverter:



Inverter communication control external equipment:




5.4.2 Introduction to meter Communication

The inverter can only work with an electric meter to monitor household electricity usage. The electricity meter can transmit the relevant electricity data to the inverter or platform, which is convenient for users to read at anytime.

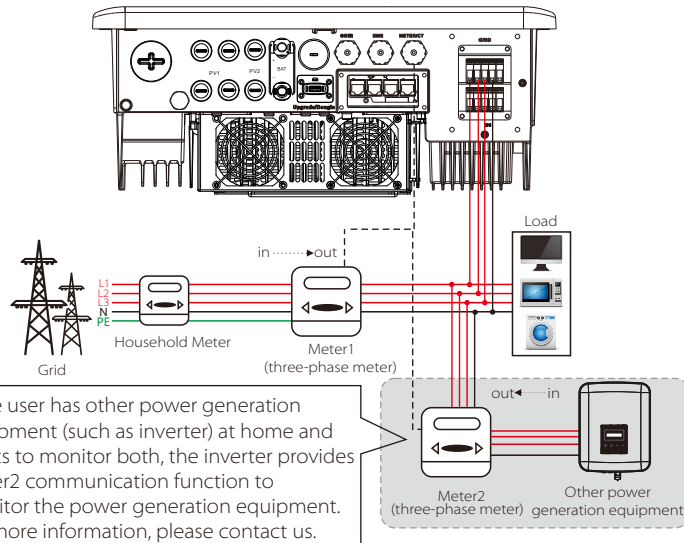
**Users can choose to use electric meters only.**

Please note that the meter brand required by our company must be used.

 **Note!**  
 The meter must be connected to the inverter, otherwise the inverter will shut down and alarm "meter failure" alarm. Smart meters must be authorized by us, third party or other companies, Unauthorized meter may be incompatible with the inverter.  
 Our company will not be responsible for the impact caused by the use of other appliances.

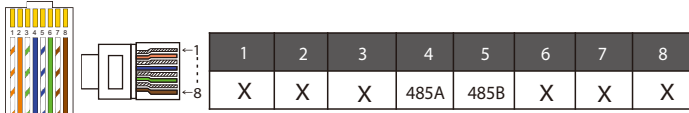
**Note: Only meters can be used when the inverters work.**

➤ Electric meter connection diagram



If the user has other power generation equipment (such as inverter) at home and wants to monitor both, the inverter provides Meter2 communication function to monitor the power generation equipment. For more information, please contact us.

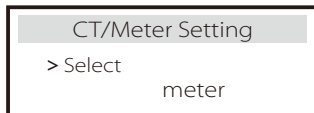
Note: If you want to connect the meter, please ground the GND terminal of the Meter1.



**Note!**  
Only meter connections can be selected. Meter cable goes to pin terminal 4 and 5.

**LCD settings**

To select meter, you need to enter Use setting, then enter CT/Meter Setting.



**5.4.3 Parallel Communication (CAN1/CAN2 port)**

The inverter provides a parallel function. 10 inverters can be maximally connected in diagram 1. And diagram 2 allows up to three inverters to be connected. In these two systems, one inverter will be set as the "master inverter" which controls every other "slave inverter" in the system. In diagram 1, an X3-PBOX-150kW-G2 should be equipped and connected to the "master inverter," "slave inverter 1" should be connected to the "master inverter," and all other "slave inverters" are connected via network cable in a numbered sequence. An X3-PBOX-60kW-G2 can be selected when no more than six inverters are paralleled in diagram 1 system.

\* X3-Hybrid/Fit-D&X3-Hybrid/Fit-M + X3 Matebox Basic supports parallel function. X3-Hybrid-M + X3 Matebox advanced does not support parallel function.

➤ System Diagram

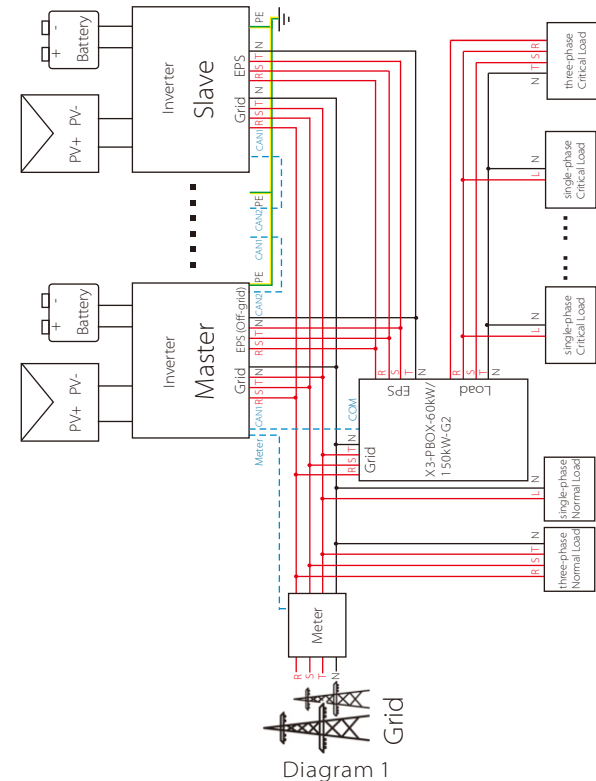


Diagram 1



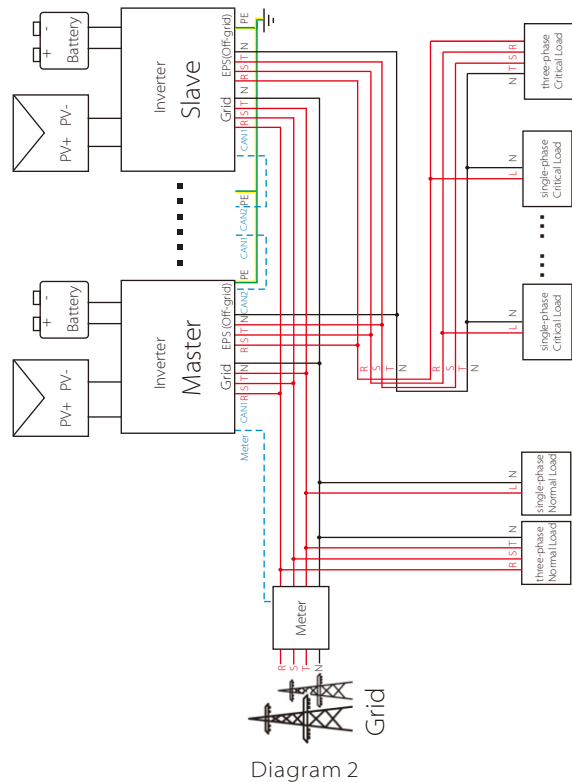



Diagram 2



**Important Warning!**

- The parallel system is extremely complex and a large amount of cables need to be connected, therefore it is strongly required that **every cable must be connected according to correct line sequence (R-R, S-S, T-T, N-N)**, otherwise any small misoperation may cause the system running failed.
- In diagram 2, INCORRECT line sequence (R-R, S-S, T-T, N-N) will damage the inverter. To avoid the damage, the default "Disable" has been set to "Enable" in "External ATS" under "Advance Settings". **Please set the default "Enable" in "External ATS" back to "Disable"**.

➤ Work Modes in parallel system

There are three work modes in parallel system, and your acknowledge of different inverter's work modes will help you understand parallel system better, therefore please read it carefully before operating.

|             |   |
|-------------|---|
| Free mode   | Only if no one inverter is set as a "Master", all inverters are in free mode in the system.   |
| Master mode | When one inverter is set as a "Master", this inverter enters master mode.<br>Master mode can be changed to free mode.   |
| Slave mode  | Once one inverter is set as a "Master", all other inverters will enter slave mode automatically. slave mode can not be changed from other modes by LCD setting. |

➤ Wiring Operation and LCD Setting

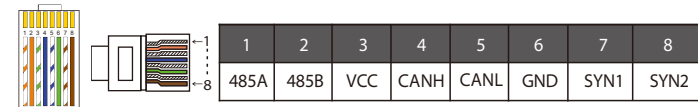


Note: Before operation, please make sure that the inverter meets the following three conditions,  
 1. The software version of all inverters is the same;  
 2. The power range of all inverter models is the same;  
 3. The type and quantity of batteries connected to all inverters are the same;  
 Otherwise, this function cannot be used.

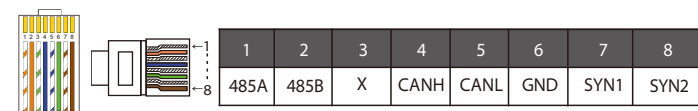


Note: There are two CAN ports on the inverter. The CAN port of the inverter set as the "host" is connected. The CAN port on the left on the bottom frame of the inverter must be connected to the COM port of the X3-PBOX-60kW/150kW -G2, and the CAN port on the right is connected "Slave".

➤ CAN1 PIN Definition



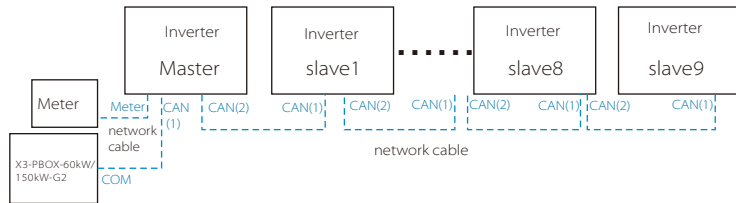
➤ CAN2 PIN Definition



For diagram 1

Step1: Connect all inverters' communication together by connecting network cables between CAN ports.

- Use standard network cables for CAN-CAN connection and insert one end of the cable into CAN1 of the master inverter and the other end into the COM port of X3-PBOX-150kW-G2.(X3-PBOX-60kW/150kW-G2 can be applied when six inverters are included in a parallel system.)
- Insert one end of network cable into the first inverter's CAN2 port and the other end into the next inverter's CAN1 port and other inverters are connected in such way .
- Insert one end of network cable into the meter, and the other end into the meter port the master inverter.

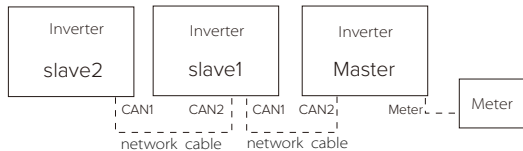


Note: In the parallel connection of the Fit series inverters, only the meter can be used.

For diagram 2

Step1: Connect all inverters' communication together by connecting network cables between CAN ports.

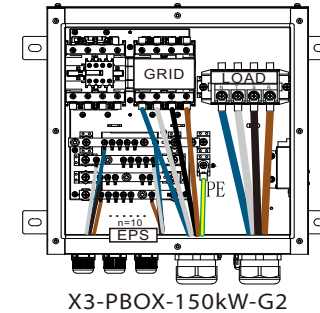
- Use standard network cables for CAN-CAN connection.
- Use network cable to connect master inverter CAN2 port and slave 1 inverter CAN1 port, and connect slave 1 inverter CAN2 port and slave2 inverter CAN1 port.
- Use network cable to connect master inverter meter port and meter.



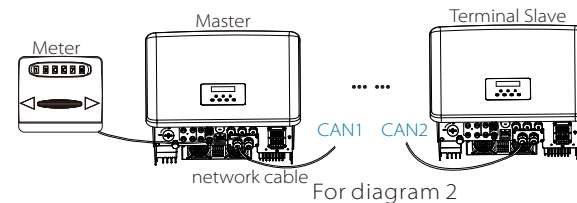
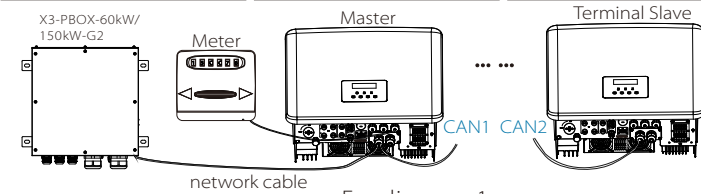
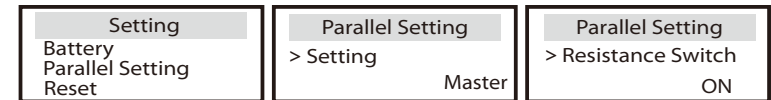
Step 2: Connect the power cable between X3-PBOX-60kW/150kW-G2 and inverter (R/S/T/N/PE) in diagram 1.

-If the user purchased the X3-PBOX-60kW/150kW-G2 product, please refer to the X3-PBOX-60kW/150kW-G2 user manual for installation and connection.

For example, the wiring diagram of the X3-PBOX-150kW-G2 power line.




Step 3: Turn on the power of the entire system, find the inverter connected to the meter, enter the setting page of the inverter LCD screen, click on the parallel settings, and select "master control"; then enter the "resistance switch" and set it to "ON"; Finally, find the last slave in the parallel system and enter the setting page of the inverter LCD screen and set the "resistance switch" to "ON".



➤ **How to Remove parallel system**

If one inverter wants to exit from this parallel system, please do the steps as below:

- Step1: Enter setting page and click parallel setting, and choose "Free".
- Step2: Disconnect all the network cables on the CAN port.

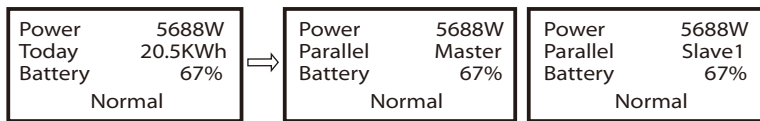
 **Note!**

- If a slave inverter is set to "Free" mode but not disconnect the network cable, this inverter will return to "slave" mode automatically.
- If a slave inverter is disconnected with other inverter but not be set to "Free" mode, this inverter will stop working and maintain "waiting" status.

➤ **LCD display**

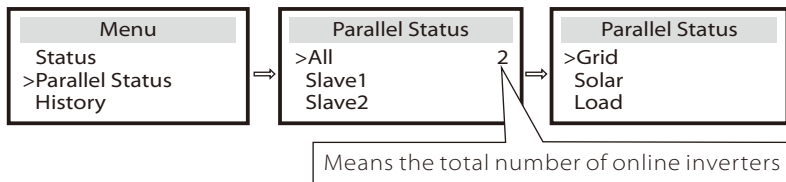
**Main display:**

Once inverter enters parallel system, the "today yield" will be replaced by "Inverter Class", and parallel relevant fault has a higher priority than other faults and will be showed firstly on main display.



**Status display:**

User can obtain all the status data from master inverter. System power and individual slave inverter power can be obtain in status display of master inverter.



➤ **Parallel Control Function**

Master inverter has an absolute lead in the parallel system to control all slave inverter's energy management and dispatch control. Once master inverter has some error and stop working, all slave inverter will be stop simultaneously. But master inverter is independent of all slave inverter to work and will not be affected by slave inverter's fault.

Overall system will be running according to master inverter's setting parameters, and most setting parameters of slave inverter will be kept but not be cancelled. Once slave inverter exit from system and be running as an independent unit, its all setting will be re-excuted.

The rest of this section covers several important parallel control functions, and the next page table shows which LCD options are controlled by master inverter and which can work independently.

**Off mode setting:**

Off mode can only be set by master inverter ( long press ESC button on LCD ).

**Safety setting:**

System safety protection is cancelled by master inverter's safety. slave inverter protection mechanism will only be triggered by master inverter's instructions.

**Self-use setting:**

If system is running as self-use mode, please note the Feedin Power Limit set of master inverter is for the overall system and the corresponding set of slave inverter is invalid.

**Power Factor setting:**

All sets about power factor are all for the overall system and the corresponding sets of slave inverter are invalid.

**Remote control setting:**

The remote demand instructions received by master inverter will be interpreted as the demand instructions to overall system.

**External ATS setting:**

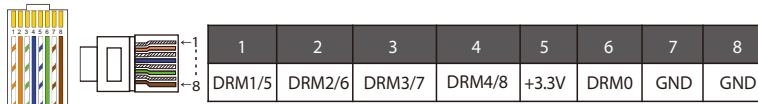
INCORRECT line sequence (R-R, S-S, T-T, N-N) will damage the inverter. To avoid the damage, the default "Disable" has been set to "Enable" in "External ATS" under "Advance Settings". Users should set the default setting back to "Disable". Because only when a matebox advanced is connected, External ATS needs to be set to "Enable".

5.4.4 Introduction to DRM communication (AS4777 regulatory requirements)

DRM requirements:

| Mode | Requirement  |
|------|--|
| DRM0 | Operation disconnect device  |
| DRM1 | Do not consume power   |
| DRM2 | Do not consume more than 50% of rated power                                      |
| DRM3 | Do not consume more than 75% of rated power AND Source reactive power if capable |
| DRM4 | Increase power consumption (subject to constraints from other active DRMs)       |
| DRM5 | Do not generate power  |
| DRM6 | Do not generate more than 50% of rated power                                     |
| DRM7 | Do not generate more than 75% of rated power AND Sink reactive power if capable  |
| DRM8 | Increase power generation (subject to constraints from other active DRMs)        |

➤ DRM PIN Definition

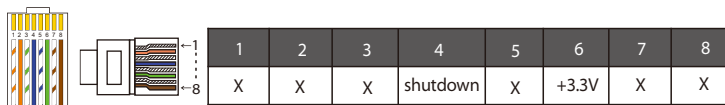


**Note!**

Currently, only PIN6 (DRM0) and PIN1 (DRM1/5) are available, other PIN functions are under development.

5.4.5 Introduction to OFF port

➤ OFF PIN Definition

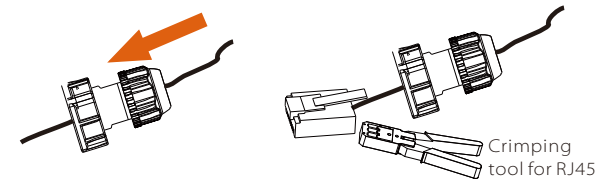


Note: if pin4 and pin6 are connected together, the inverter will be off.

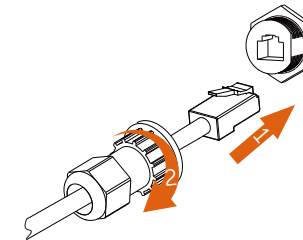
5.4.6 Communication Connection Steps

Meter connection steps:

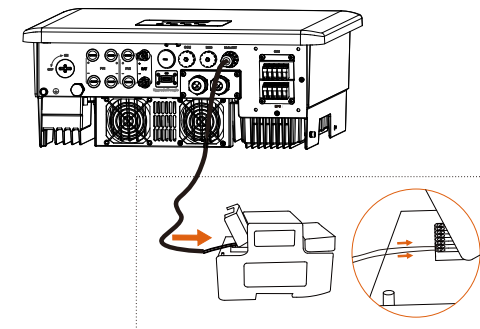
**Step1:** Prepare a waterproof connector with RJ45 and a communication cable. Disassemble the waterproof connector and the RJ45 terminal inside the connector. Strip the cable with the requirement of the Meter Quick Installation Guide. Thread the unstripped end through the waterproof connector. Strip 15 mm insulation jacket off and crimp the end with terminal A in accordance with the pin definition of meter.



**Step2:** Remove the dustproof cover from the Meter/CT port. Insert the communication cable into the Meter/CT port. An audible "Click" will be heard if it is successfully connected.

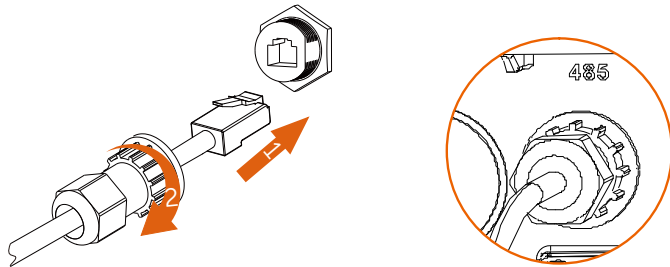


**Step3:** Connect pin 4 and pin 5 of the stripped end directly to the pin 24 and pin 25 of a meter. Please refer to a meter manual for a specific connection method.



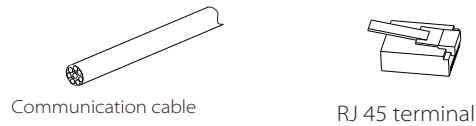
**COM port connection steps:**

Please refer to 5.5.1 Introduction to COM communication and wire the COM cable in accordance with the COM pin definition. Insert the well crimped cable into the COM port and tighten the swivel nut.

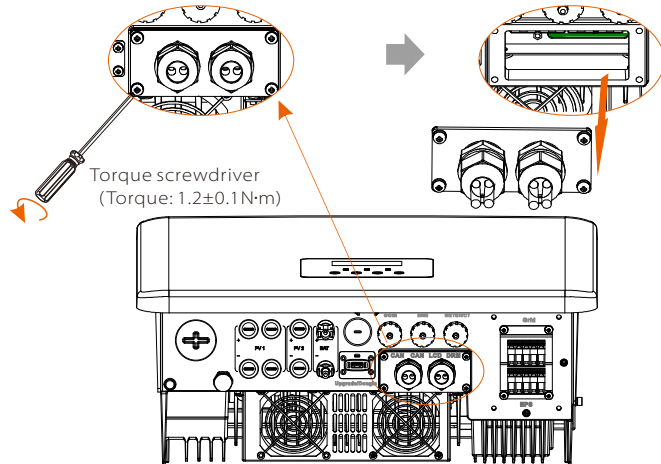


**CAN1/ CAN2/ DRM/ OFF port connection steps:**

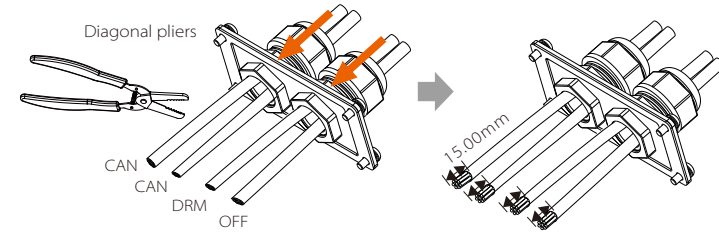
**Step 1.** Prepare a communication cable, and then take out RJ 45 terminals in the accessory bag.



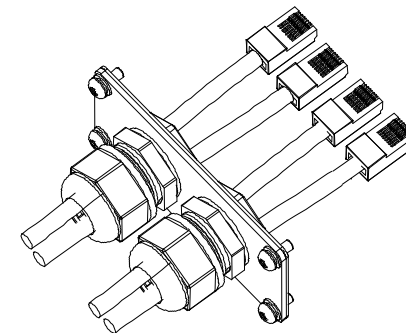
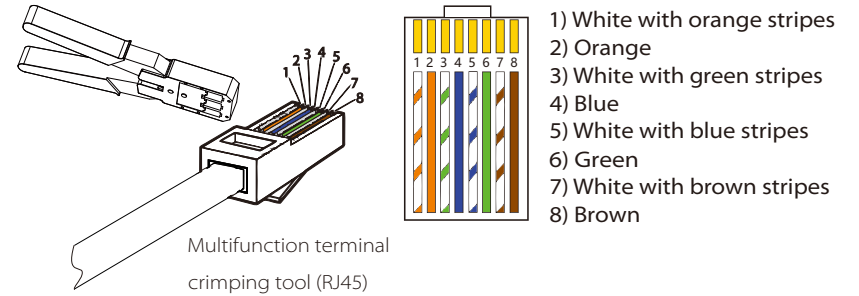
**Step 2 .** Loosen the screws and remove the cover on the inverter.



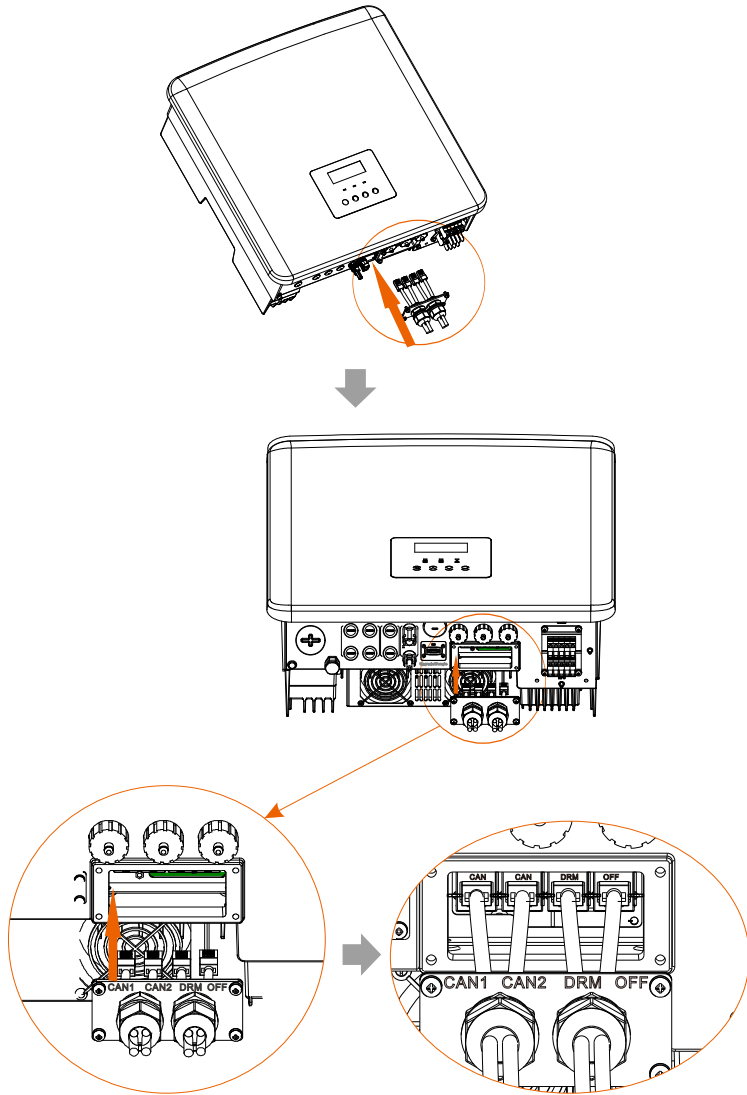
**Step 3.** Thread communication cables through CAN1/ CAN2/ DRM/ OFF port of the cover. And then strip off 15 mm insulation layer.



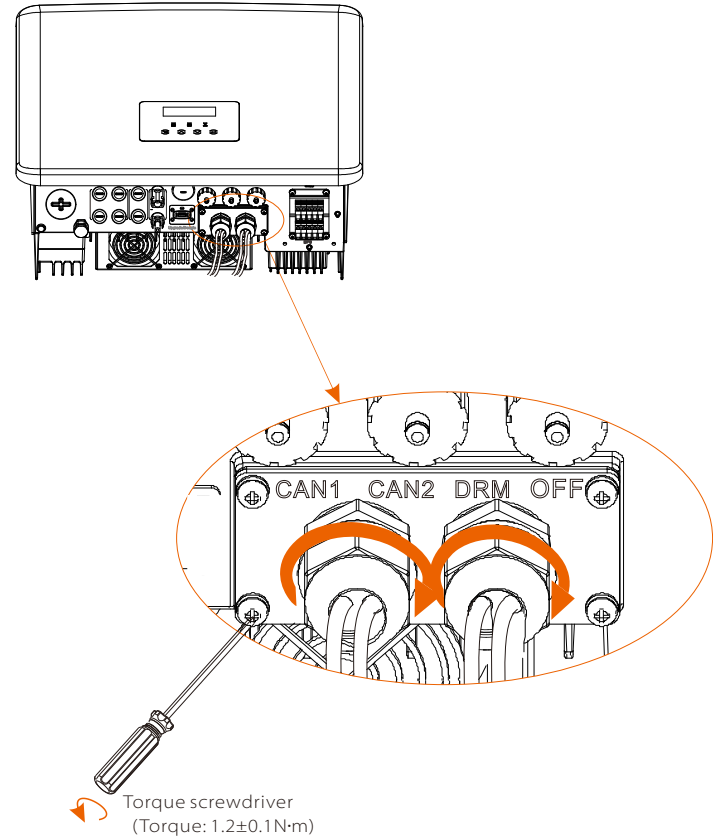
**Step 4.** Crimp each stripped cables with a RJ45 terminal in accordance with CAN1/ CAN2/ DRM/ OFF pin definition.



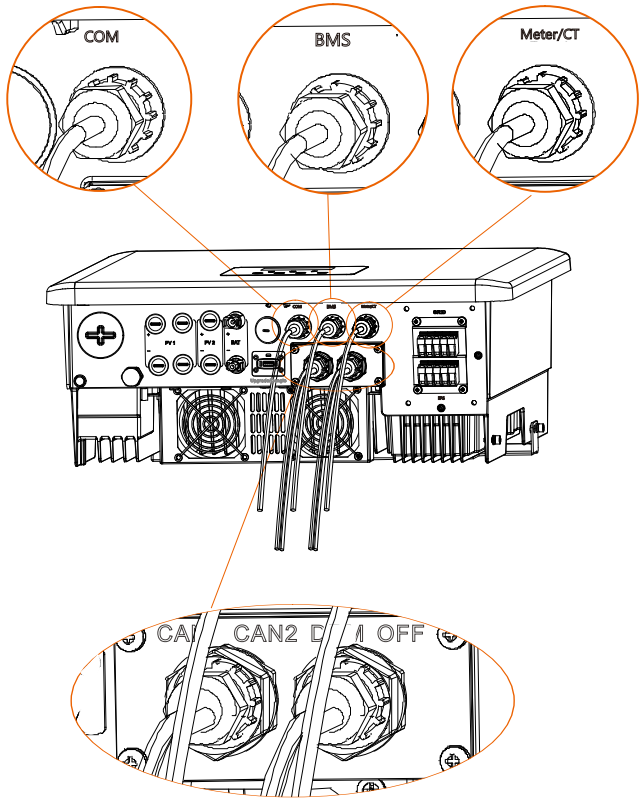
**Step 5.** Insert well crimped CAN1/CAN2/DRM/ OFF cables into the corresponding port of the inverter.



**Step 6.** Tighten the screws and lock the cover on the inverter. And then tighten the swivel nuts.



Step 7: Here below are the well connected communication cables.



### 5.5 Grounding Connection (Mandatory)

The user must make two ground connections: one shell grounding, and one equipotential grounding. This prevents electric shock.

**Note:** If the PV end of the inverter is not connected with earth, the inverter will turn on a red light Inspect and report ISO Fault. This inverter complies with IEC 62109-2 clause 13.9 for earth fault alarm monitoring.

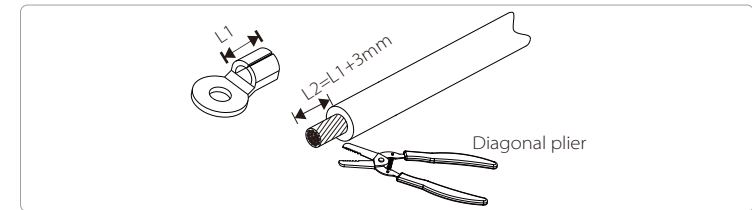
The ground wire port of the inverter has been connected, and needs to be wired according to the following steps.

#### ➤ Ground connection steps

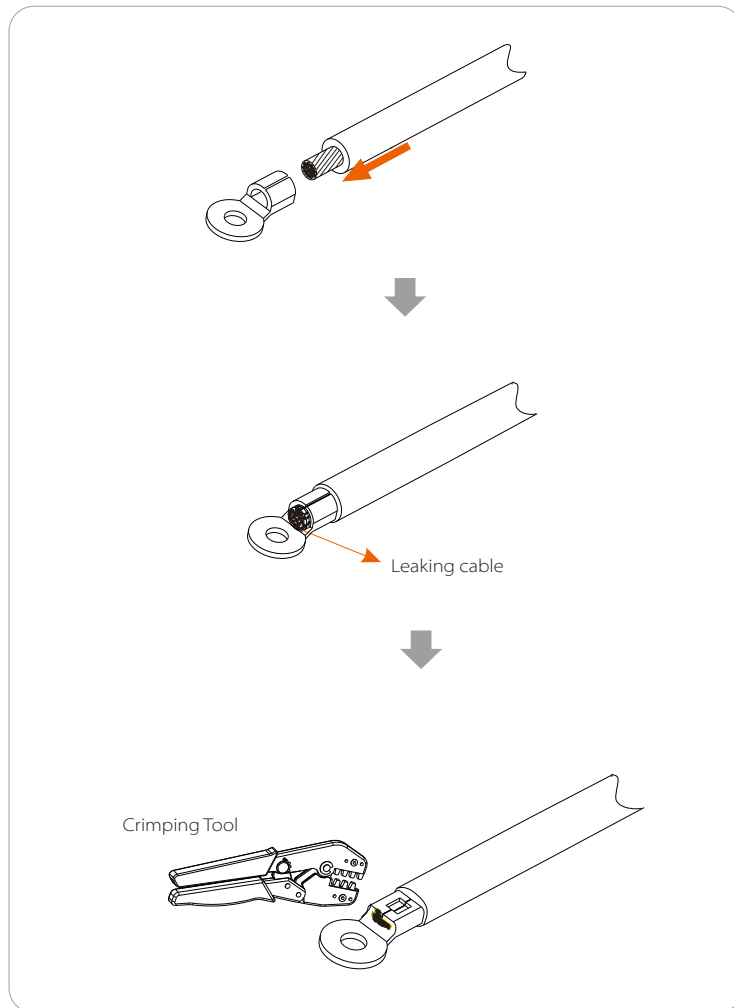
**Step 1.** Prepare a one-core cable (4~6 mm<sup>2</sup>), and then find the ground terminal in the accessories.



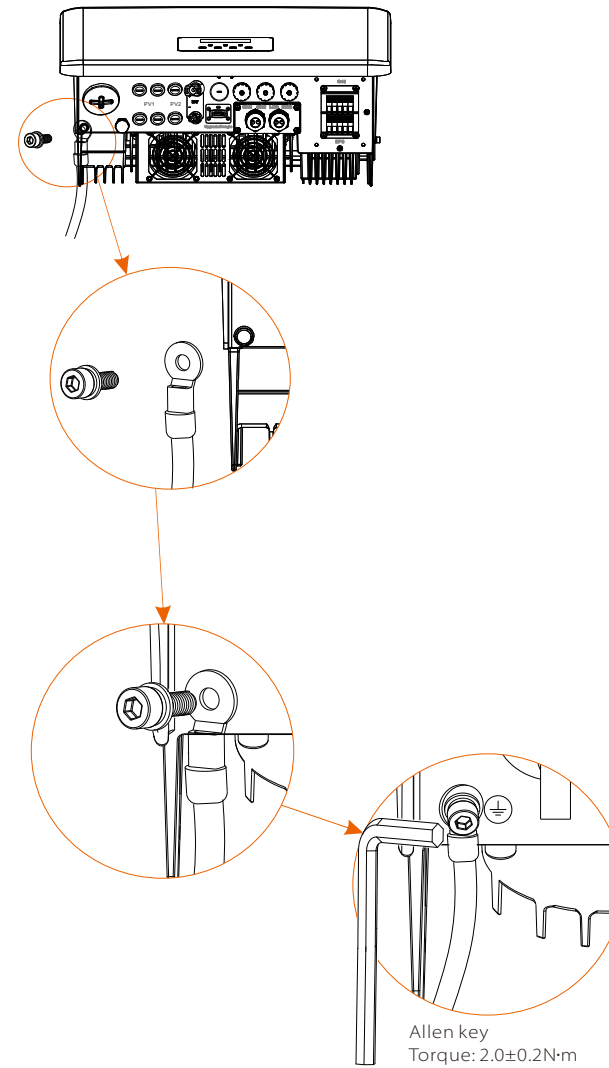
**Step 2.** Strip the grounding cable insulation (length "L2"), insert the striped cable into the ring terminal, and then clamp it.



**Step 3.** Insert the striped cable into OT terminal and tighten the terminal with a terminal crimping tool.



**Step 4.** Find the ground connection port on the inverter, and screw the ground wire on the inverter with an M5 Hexagon keys.

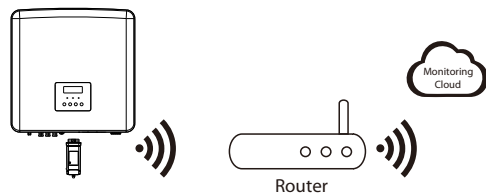




## 5.6 Monitoring Connection (Accessories)

The inverter provides a DONGLE port, which can transmit data of the inverter to the monitoring website via WiFi Dongle, 4G Dongle and LAN Dongle. (If necessary, purchase products from our company.)

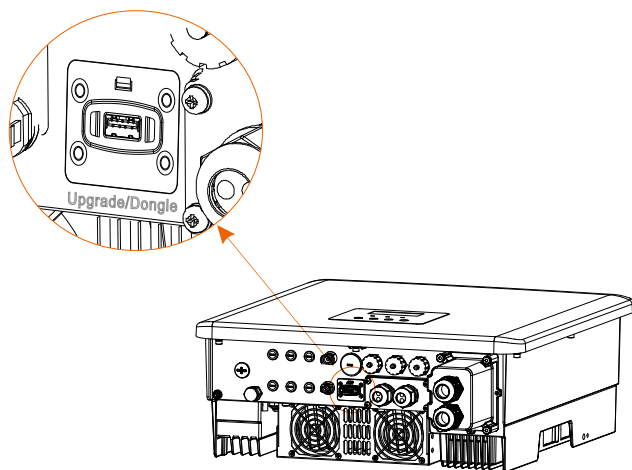
### ➤ DONGLE connection diagram



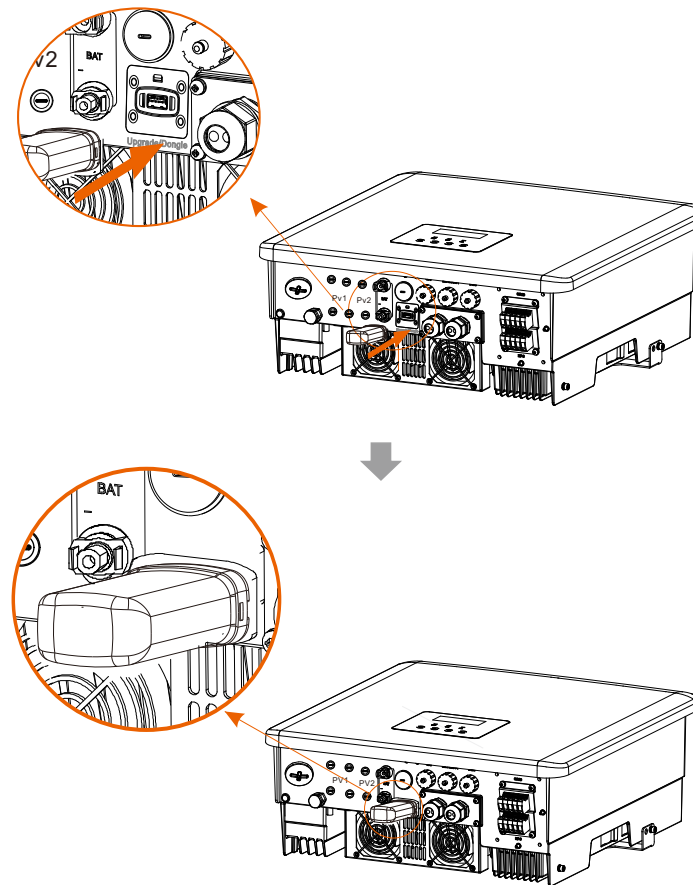
### ➤ Wireless monitoring accessories connection steps

DONGLE port connection line of the inverter is on the X3-Matebox, for specific installation details, please refer to the X3-Matebox Quick Installation Guide. It is necessary to wire the inverter according to the following steps.

Step 1. First find the DONGLE port of the inverter.



Step 2. Plug WiFi Dongle into the DONGLE port.



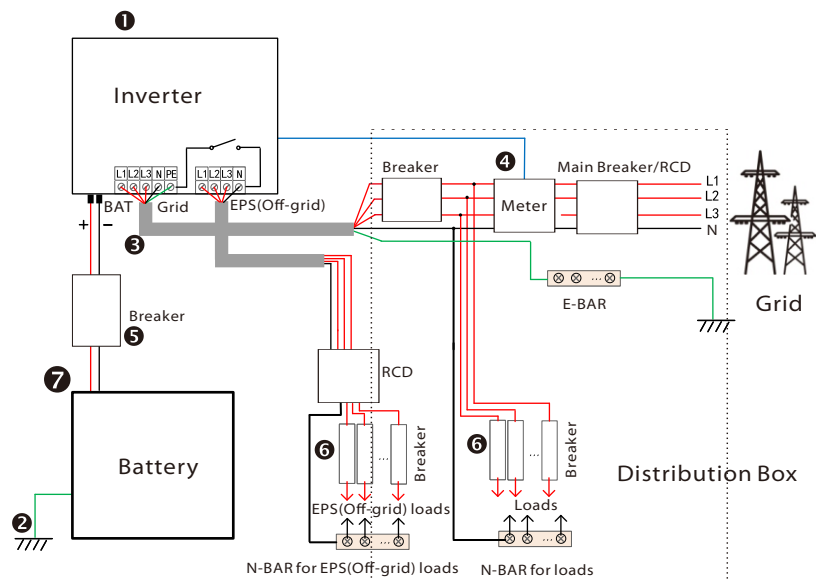
*Please check the WiFi Dongle user manual/ LAN Dongle user manual /4G user manual.*

### 5.7 Check All below Steps before Starting Inverter

➤ After the inverter is checked, then conduct the following steps

- ❶ Make sure that the inverter is fixed on the wall.
- ❷ Ensure that all ground wires are grounded.
- ❸ Confirm that all AC lines are connected.
- ❹ Make sure the meter is well connected.
- ❺ Make sure the battery is well connected.
- ❻ Turn on the Load breaker and EPS(Off-grid) breaker.
- ❼ Turn on the battery breaker.
- ❽ Turn on the DC switch.

Long press the "Enter" key for 5 seconds to exit the Off mode.  
(The mode is factory defaulted as Off Mode)



Note: The RCD on the figure represents a leakage protection device

### 5.8 Inverter Operation

➤ Before operation, check the inverter according to the following steps

- a) Check that the inverter is well fixed on the wall.
- b) Ensure that all ground wires are well tightened.
- c) Ensure that all DC and AC circuit breakers are disconnected.
- d) Ensure that all ground wires are well tightened.
- e) The AC output terminal is correctly connected to the mains.

➤ Start the inverter

- Steps to start the inverter
  - Turn on the AC switch between the inverter and the power grid.
  - If the battery port of the inverter is connected to a battery, turn on the auxiliary power switch of the battery and then the battery switch.
- Check the status of the LED and LCD screen, the LED is blue, and the LCD displays the main interface.
- If the LED is not blue, please check the following:
  - All connections are correct.
  - All external disconnect switches are closed.
  - The DC switch of the inverter is set to the "ON" position.


The following are 3 different states of inverter operation, which means that the inverter starts successfully.


Waiting: When the DC output voltage of the photovoltaic panel is higher than 160V (lowest starting voltage) and lower than 180V (lowest working voltage), the inverter waits for checking.

Checking: The inverter will automatically detect the DC input. When the DC input voltage of the photovoltaic panel is higher than 200V and the photovoltaic panel has enough energy to start the inverter, the inverter will enter the checking state.

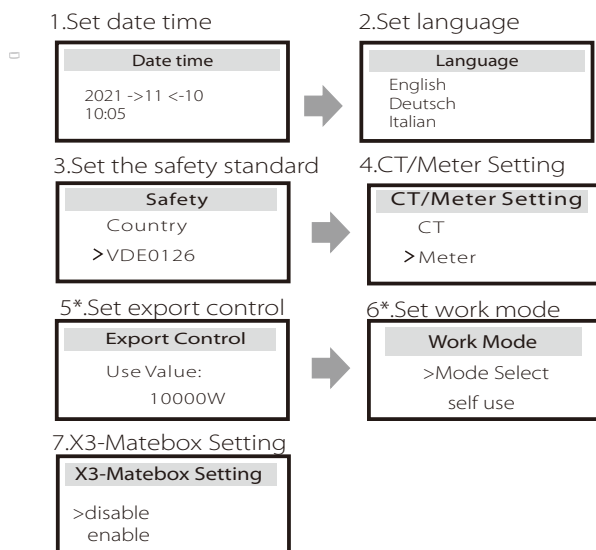
Normal: When the inverter is working normally, the green light is always on. At the same time, the power is fed back to the grid, and the LCD displays the output power.

If it is the first time to boot, please follow the prompts to enter the setting interface.

**Warning!**  
 The input terminal of the inverter can be opened only when all the installation work of the inverter has been completed. All electrical connections must be performed by professionals in accordance with local regulations.

**Note!**  
 If it is the first time to operate the inverter, the system will automatically display setup guide. Please follow the setup guide to complete the basic inverter settings.

Please follow the setup guide to complete the basic inverter settings.




#### 5\*.Export Control


This function allows the inverter able to control energy exported to the grid.  
 There are user value and factory value. The factory value is default which can not be changed by user. The user value set by installer must be less than the factory value.


## 6 Firmware Upgrade


### ➤ Upgrade notes

Please read the following precautions before upgrading.

**Warning!**  
 - In order to upgrade the firmware smoothly, if the DSP and ARM firmware need to be upgraded, please note that ARM firmware must be upgraded first, then DSP firmware!  
 - Please make sure that the category format is correct, do not modify the firmware file name, Otherwise, the inverter may not work!


**Warning!**  
 - For the inverter, ensure that the PV input voltage is greater than 180V (upgrade on sunny days). please ensure that the battery SOC is greater than 20% or the battery input voltage is greater than 180V. Otherwise, it may cause serious failure during the upgrade process!

**Caution!**  
 - If the ARM firmware upgrade fails or stops, please do not unplug the U disk power off the inverter and restart it. Then repeat the upgrade steps.

**Caution!**  
 - If the DSP firmware upgrade fails or stops, please check whether the power is off. If it is normal, plug in the U disk again and repeat the upgrade.

### ➤ Upgrade preparation

1) Please check the inverter version and prepare a U disk (USB 2.0/3.0) and personal computer before upgrading.

**Caution!**  
 - Please make sure that the size of the U disk is smaller than 32G, and the format is FAT 16 or FAT 32.

2) Please contact our service support to obtain the firmware, and store the firmware in the U disk according to the following path.

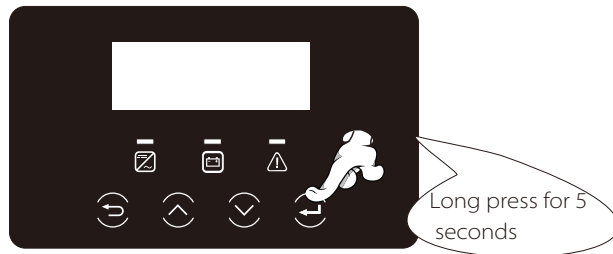
Update:

For ARM file: "update\ARM\618.00406.00\_HYB\_3P\_ARM\_V1.13\_1220.usb";

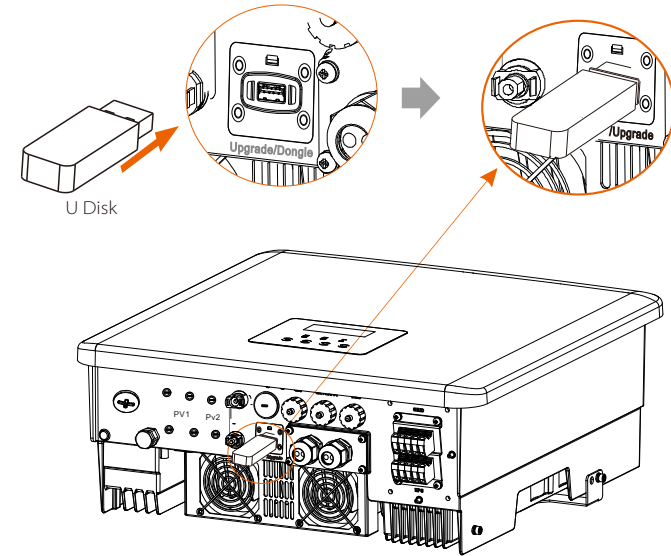
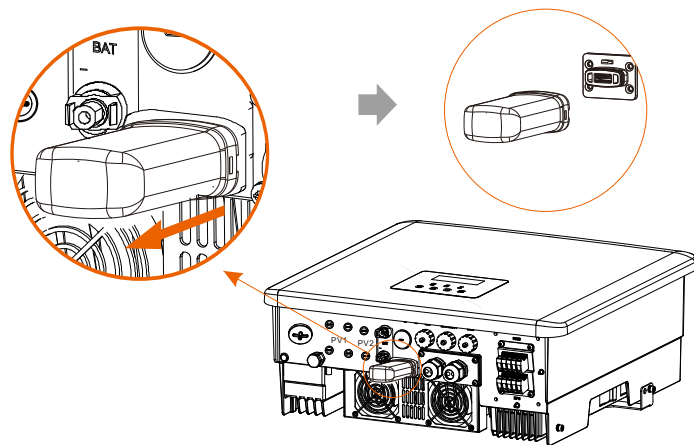
For DSP file: "update\DSP\618.00405.00\_HYB\_3P\_DSP\_V1.14\_1215.usb";

➤ Upgrade steps

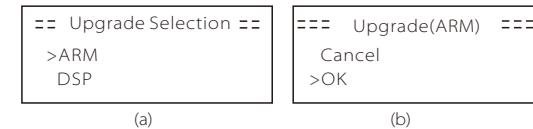
**Step 1.** Please save the "Upgrade" firmware in your U disk first, and press the "Enter" button on the inverter screen for 5 seconds to enter the OFF mode.



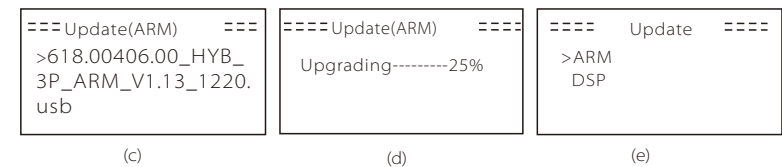
**Step 2.** Find the "Upgrade" port of the inverter, unplug the monitoring module (WiFi Dongle/ 4G Dongle/ LAN Dongle) by hand, and insert the USB flash drive.



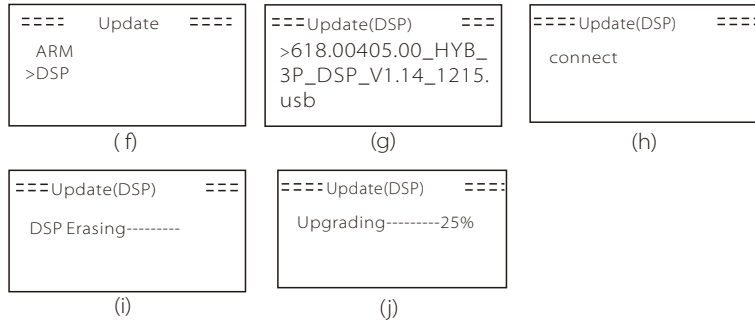
**Step 3.** LCD operation, enter the upgrade interface "update", as shown below (a): Please press the up and down keys to select ARM, then press down to set "OK", press the enter key to enter the software version interface;



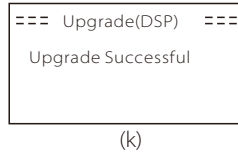
**Step 4.** Please confirm the new firmware version again and select the firmware to upgrade. The upgrade takes about 20 seconds. (d) When it is completed, the LCD screen returns to the "Update" page.




**Step 5.** For DSP: Please wait for 10 seconds. When "Update" page shown as below, press down to select "DSP" and then press Enter. Please confirm the firmware version again and press Enter to upgrade. The upgrade takes about 2 minutes.



**Step 6.** After the upgrade is completed, the LCD screen displays "Upgrade Successful".



**Step 7.** Plug off the U disk, press "Esc" to return to the main interface, and long press the enter key to exit the mode.



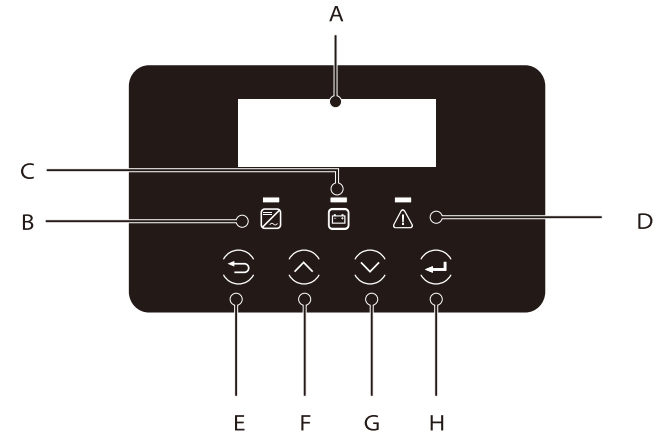
**Caution!**

- Please strictly follow each step from step 1-6, don't miss it.
- Please confirm the ARM/DSP firmware version on the USB flash drive.

Tip: If the display screen is stuck on "X3-Fit G4" after the upgrade, please turn off the photovoltaic power supply and restart, and the inverter will restart and return to normal. If not, please contact us for help.

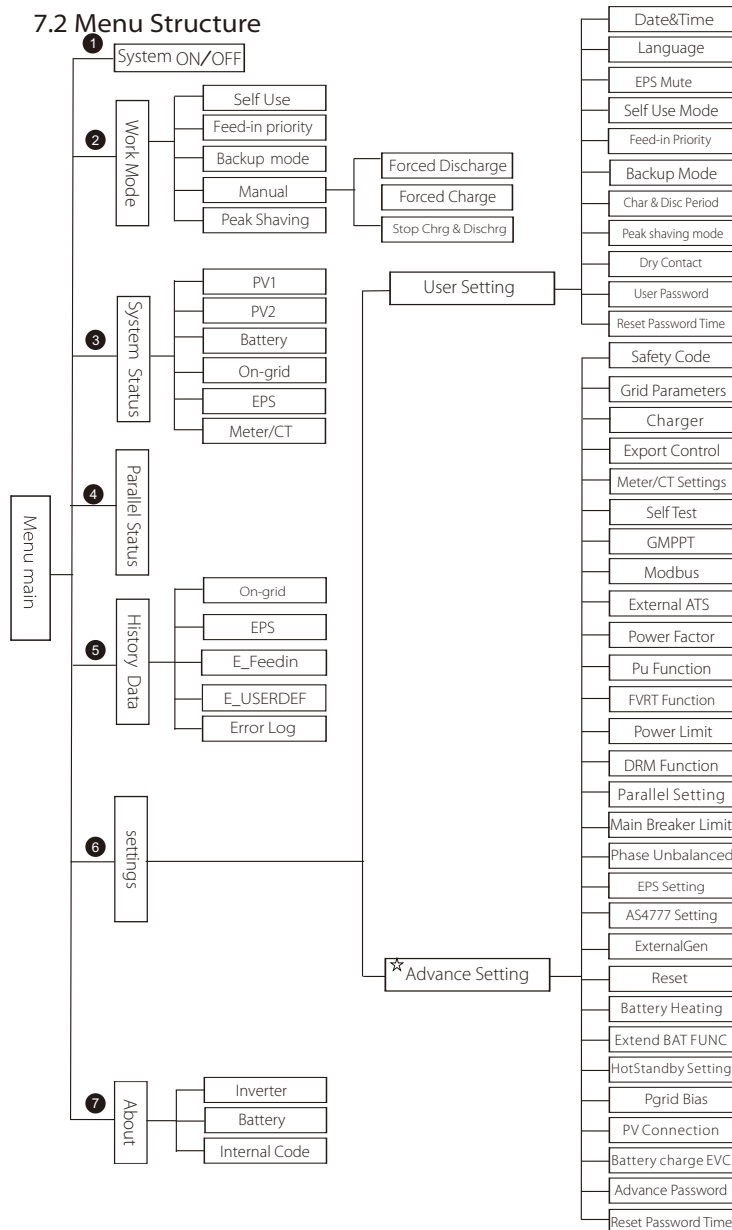
## 7 Setting

### 7.1 Control Panel



| Object | Name                | Description  |
|--------|---------------------|--|
| A      | LCD Screen          | Display inverter information on the LCD display.   |
| B      | LED Indicator light | Blue light: The inverter is in normal state or EPS(Off-grid) mode.<br>Blue flashing: The inverter is in the waiting, checking state or the system switch is off.<br>Off: The inverter is in a fault state.   |
| C      |                     | Green: The battery communication is normal but the battery MCB is disconnected, and the battery communication is normal and working normally.<br>Green flashing: The battery communication is normal and in an idle state.<br>Off: The battery does not communicate with the inverter. |
| D      |                     | Red light on: The inverter is in a fault state.<br>Off: The inverter has no error.   |
| E      | Key Function        | ESC button: Return from the current interface or function.   |
| F      |                     | Up button: Move the cursor to the upper part or increase the value.  |
| G      |                     | Down button: Move the cursor down or decrease the value.   |
| H      |                     | Enter button: Confirm selection.   |

### 7.2 Menu Structure



Note: "★" This part of the content cannot be set by the end user. Please contact the installer or our company if necessary.

### 7.3 LCD Operation

The main interface is the default interface, the inverter will automatically return to this interface when the system started up successfully or not operated for a period of time. The information of the interface is as below. "Power" means the instant output power; "Today" means the power generated within the day. "Battery" means the left capacity of battery energy.

|         |        |
|---------|--------|
| Power   | 0W     |
| Today   | 0.0KWh |
| Battery | 80%    |
| Normal  |        |

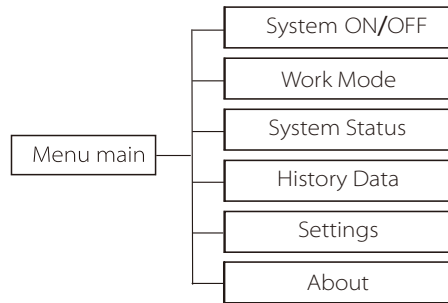
#### ➤ Menu interface

The menu interface is another interface for users to change settings or obtain information.

- When the LCD displays the main interface, click "OK" to enter this interface.
- The user can select up and down the menu, and press the "OK" key to confirm.

| Menu            |
|-----------------|
| > System ON/OFF |
| Work Mode       |
| System Status   |

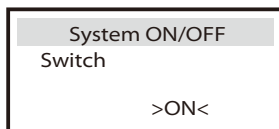
➤ Menu main



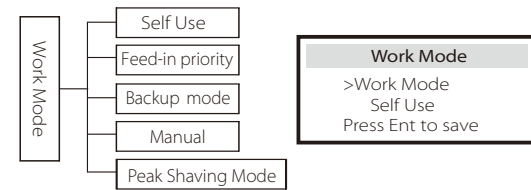
➤ System ON/OFF

"ON" means the inverter is in working state, and the inverter is in the default state.

"OFF" means that the inverter stops running and only the LCD screen is on.



➤ Work Mode



When this inverter works with a grid-tied inverter, the following work modes are available.

For **on-grid** status, there are four work modes: Self Use, Feed-in Priority, Backup, Manual and Peak Shaving Mode.

**Self Use**

The self-use mode is suitable for areas with low feed-in subsidies and high electricity prices. The power of PV will supply the loads first, and surplus power will charge the battery, then the remaining power will feed into the grid.

**Priority: Loads > Battery > Grid**

**Feed-in priority**

The feed-in priority mode is suitable for areas with high feed-in subsidies, but has feed-in power limitation. The power of PV will supply the loads first, and surplus power will feed into the grid, then the remaining power will charge the battery.

**Priority: Loads > Grid > Battery**

**Backup mode**

The back-up mode is suitable for areas with frequent power outages. This mode will maintain the battery capacity at relatively high level, to ensure that the emergency loads can be used when the grid is off. Same working logic with "Self-use" mode.

**Priority: Loads > Battery > Grid**

\* For the above three work modes, when the power of PV is insufficient to supply the loads, the battery will supply the loads. If the battery is insufficient, then the grid will supply the loads.

**Manual**

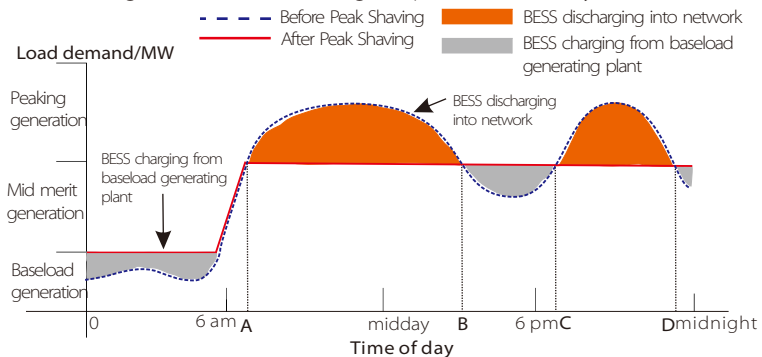
This work mode is for the after-sales team to do after-sales maintenance.

Manual mode, there are three options to choose from: forced charging, forced discharge, stop charging and discharging (grid-connected power).

| Work Mode                | Work Mode                   | Work Mode                    |
|--------------------------|-----------------------------|------------------------------|
| >Manual<br>Forced Charge | >Manual<br>Forced Discharge | >Manual<br>Stop Chrg&Dischrg |

**Peak shaving mode**

Peak shaving mode is set for leaving out peaks in electricity use.



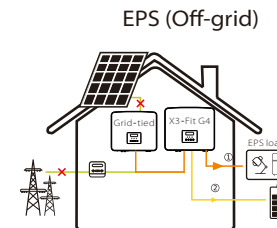
The D-A period is the battery charging period during which discharging is not allowed and the PV will charge the battery first for peak shaving. The ChargeFromGrid" setting determines whether or not to charge from the grid. When "ChargeFromGrid" is set to "Disable", the battery cannot charge from the grid; when "ChargeFromGrid" is set to "Enable" and the actual battery SOC is less than "Max\_SOC", the battery will charge from the grid at no more than "ChargePowerLimits" power.

In the A-B and C-D periods, if the power of loads does not exceed "PeakLimits", the PV will charge the battery first. When the battery is fully charged, the PV will charge loads, and the surplus power will feed into the grid. If the power of loads exceeds "PeakLimits", the PV and battery will discharge energy for loads and thus reduce the amount of energy purchased from the grid.

In the B-C period, the battery does not discharge. The PV will charge the battery to the "Reserved SOC" first and then supply power for loads, with the surplus power feeding into the grid. Charging the battery first in these periods is storing energy for the peak shaving.

\* If there are requirements for zero output from the inverter, the PV output will be limited.

For **off-grid** status, there is only one work mode: EPS (Off-grid).



In case of power failure, the system will supply EPS loads through the battery. (The battery must be installed, and EPS loads shall not exceed battery's max. output power.)

**Priority: Loads > Battery**

**Note:**

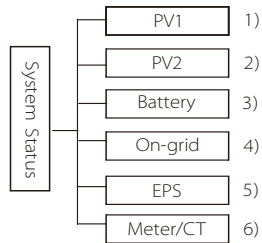
The battery will stop discharging when SOC=min SOC. But due to battery self consumption, sometimes SOC may < min SOC.

For on-grid status, if the battery SOC ≤ (min SOC-5%), the inverter will take utility energy to charge battery SOC back to (min SOC+1%).

For off-grid status, if the battery SOC ≤min SOC, the inverter will be unable to enter EPS mode (the battery will be unable to discharge unless SOC is back to 31%).



➤ System Status



System status contains six content: PV1/PV2/Battery/On-grid (energy feed into or buy from the grid)and EPS(Off-grid) and so on. Press up and down to select, press "Enter" to confirm the selection, and press "ESC" to return to the menu.

1/2) PV1, PV2

Here you can see the voltage, current and power of the pv1 and Pv2. Photovoltaic panels respectively;

| PV1 |      |
|-----|------|
| >U  | 0.0V |
| I   | 0.0A |
| P   | 0W   |

| PV2 |      |
|-----|------|
| >U  | 0.0V |
| I   | 0.0A |
| P   | 0W   |

3) Battery

This status shows the battery condition of the system. Including battery voltage and battery current, Battery power, battery capacity, battery temperature, BMS connection status. The meaning of the sign of battery current and power: "+" means charging; "-" means discharging.

| Battery          |        |
|------------------|--------|
| U                | 400.0V |
| I                | -1.0A  |
| P                | -400W  |
| SoC              | 0%     |
| Cell Temp        | 20°C   |
| BMS Connected    |        |
| BMS Disconnected |        |

| Battery  |        |
|----------|--------|
| U        | 400.0V |
| I        | -1.0A  |
| P        | -400W  |
| NTC Temp |        |

4) On-grid

Here you can see the voltage, current, frequency, and power of the grid.

| On-grid A |      |
|-----------|------|
| Ua        | 0.0V |
| Ia        | 0.0A |
| PaOut     | 0 W  |

| On-grid B |      |
|-----------|------|
| Ub        | 0.0V |
| Ib        | 0.0A |
| PbOut     | 0 W  |

| On-grid C |      |
|-----------|------|
| Uc        | 0.0V |
| Ic        | 0.0A |
| PcOut     | 0 W  |

| Grid Frequency |        |
|----------------|--------|
| Fa             | 0.00Hz |
| Fb             | 0.00Hz |
| Fc             | 0.00Hz |

5) EPS

Here you can see the inverter of voltage, current, frequency and power.

| EPS_Spower |     |
|------------|-----|
| PaS        | 0VA |
| PbS        | 0VA |
| PcS        | 0VA |

| EPS A    |      |
|----------|------|
| Ua       | 0.0V |
| Ia       | 0.0A |
| PaActive | 0W   |

| Frequency |        |
|-----------|--------|
| Freq      | 0.00Hz |

| EPS B    |      |
|----------|------|
| Ub       | 0.0V |
| Ib       | 0.0A |
| PbActive | 0W   |

| EPS C    |      |
|----------|------|
| Uc       | 0.0V |
| Ic       | 0.0A |
| PcActive | 0W   |

6) Meter/CT

Here you can see the data showing the meter or the CT.

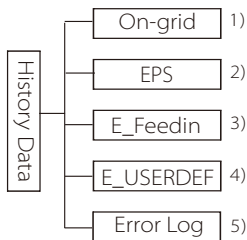
| Meter/CT    |  |
|-------------|--|
| Pfeedin A   |  |
| Pfeedin B   |  |
| Pfeedin C   |  |
| .....       |  |
| P_USERDEF A |  |
| P_USERDEF B |  |
| P_USERDEF C |  |

➤ Parallel Status

Status shows on the screen when paralleling.

| Parallel Status |   |
|-----------------|---|
| All             | 3 |
| Slaver1         | ○ |
| Slaver2         | X |
| Slaver3         | ○ |
| Slaver4         | X |
| Slaver5         | X |
| Slaver6         | X |
| Slaver7         | X |
| Slaver8         | X |
| Slaver9         | X |

➤ History Data



The history data contains five pieces of information: on-grid power of the inverter, EPS power generation, power of the meter /CT and error Error logs.

Press up and down to select, press Enter to confirm selection, and press ESC to return to the menu.

1) On-grid

Here is a record of the power capacity of the inverter connected to the grid today and the total.

| On-grid      |         |
|--------------|---------|
| Output Today | 0.0 KWh |
| Output Total | 0.0 KWh |
| Input Total  | 0.0 KWh |
| Input Today  | 0.0 KWh |

2) EPS

Here you can see the EPS output of the inverter today and the total output.

| EPS    |         | EPS    |         |
|--------|---------|--------|---------|
| Today: | 0.0 KWh | Total: | 0.0 KWh |

3) E\_Feedin

Here you can see the inverter's electricity sold, total electricity sold, electricity bought from the grid and total electricity bought on that day.

| E_Feedin     |  |
|--------------|--|
| >FeedInToday |  |
| FeedInTotal  |  |
| ConsumeToday |  |
| ConsumeTotal |  |

4) E\_USERDEF

Here you can see the total power output of the inverter for the day.

| E_USERDEF     |  |
|---------------|--|
| >Output Today |  |
| OutputTotal   |  |

5) Error Log

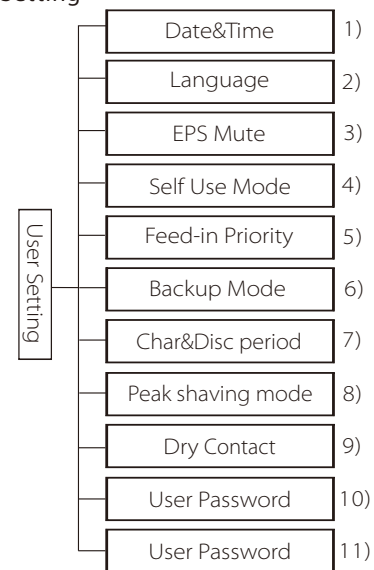
Here you can see the most recent six error messages.

| Error log |  |
|-----------|--|
| >No error |  |

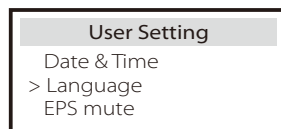
➤ Settings

Settings includes User Settings and Advanced Settings. You need to enter the corresponding passwords for different settings. After you enter the settings, a passwordfree time (15 minutes) is available to you. That is, you exit from and re-enter the settings without a password during the password-free time.

➤ User Setting

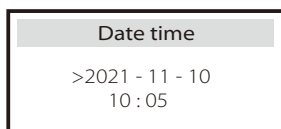


Here you can set the inverter time, language, working mode SOC, charging and discharging time period and user password.



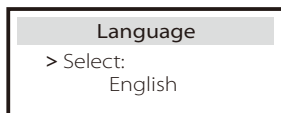
1) Date time

This interface is for users to set the system date and time.



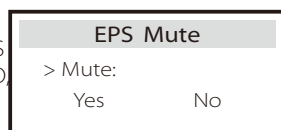
2) Language

This inverter provides multiple languages for customers to choose, such as English, Deutsch, francais, Polskie, Espanol, Portugués.



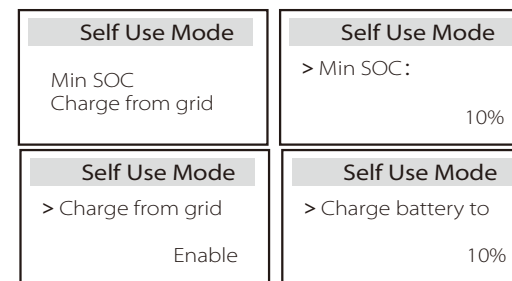
3) EPS Mute

Here you can choose whether the buzzer is turned on when the inverter is running in EPS mode. Select Yes, the buzzer mutes, select NO EPS mode, the buzzer will sound once every 4s when the battery is fully charged, the closer the battery is to the empty state, the higher the buzzer will sound, to remind users to avoid battery loss.



4) Self-use mode

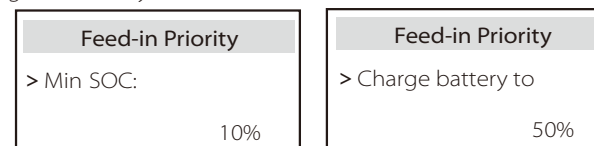
In this mode, you can set the power reserve percentage of the minimum battery state, set whether the power can be taken from the mains side to charge the battery, and set the amount of power to charge the battery. For example: set the reserved minimum SOC of the battery capacity to "10%", which means that when the battery has been discharged to 10% of the battery capacity, the battery is not allowed to continue to discharge; When Charge from grid is set to "Enable", the utility power is allowed to charge the battery; when set to "Disable", the utility power is not allowed to charge the battery; Charge battery to is set to 10%, indicating that the mains is allowed to charge the battery at 10%.



5) Feed-in Priority

In this mode, you can set the power reserve percentage of the minimum battery state, set whether the power can be taken from the mains side to charge the battery, and set the amount of power to charge the battery. For example: set the reserved minimum SOC of the battery capacity to "10%", which means that when the battery has been discharged to 10% of the battery capacity, the battery is not allowed to continue to discharge;

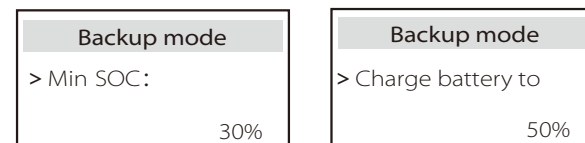
Charge battery to is set to 50%, indicating that the mains is allowed to charge the battery at 50%.



6) Backup mode

In this mode, you can set the power reserve percentage of the minimum battery state, set whether the power can be taken from the mains side to charge the battery, and set the amount of power to charge the battery. For example: set the reserved minimum SOC of the battery capacity to "30%", which means that when the battery has been discharged to 30% of the battery capacity, the battery is not allowed to continue to discharge;

Charge battery to is set to 50%, indicating that the mains is allowed to charge the battery at 50%.



7) Charge and discharge time

Here you can set the charge and discharge time period.  
If two charging and discharging periods are needed, turn on the charging and discharging period 2 and set the period.

|   |   |  |
|---|---|--|
| <b>Char&amp;Disc Period</b><br>> Forced Chrg Period<br>Start Time<br>00:00  | <b>Char&amp;Disc Period</b><br>> Forced Chrg Period<br>End Time<br>00:00  | <b>Char&amp;Disc Period</b><br>> Allowed Disc Period<br>Start Time<br>00:00  |
| <b>Char&amp;Disc Period</b><br>> Allowed Disc Period<br>End Time<br>00:00   | <b>Char&amp;Disc Period</b><br>> Char&Disc Period2                        | <b>Char&amp;Disc Period2</b><br>> Function Control<br><br>Enable             |
| <b>Char&amp;Disc Period2</b><br>> Forced Chrg Period<br>Start Time<br>00:00 | <b>Char&amp;Disc Period2</b><br>> Forced Chrg Period<br>End Time<br>00:00 | <b>Char&amp;Disc Period2</b><br>> Allowed Disc Period<br>Start Time<br>00:00 |
| <b>Char&amp;Disc Period2</b><br>> Allowed Disc Period<br>End Time<br>00:00  |   |  |

8) Peak shaving mode

This setting is for enabling peak shaving mode.  
"DisChgPeriod1" or "DisChgPeriod2" are two discharging periods you can set. Set "ShavingStartTime1" (default value: 7:00) and "ShavingEndTime1" (default value: 15:00) under "DisChgPeriod1" and "ShavingStartTime2" (default value: 19:00) and "ShavingEndTime2" (default value: 23:00) under "DisChgPeriod2" to define the peak hours of electricity.  
Set "PeakLimits1/2" to limit the power that loads get from the grid. Once the power of loads exceeds "peak limits" during the peak hours, the PV and battery will discharge energy for loads and thus reduce the amount of energy purchased from the grid. In non-peak hours, discharging of the battery is not allowed. If you want to get electricity from the grid, set "ChargeFromGrid" to "Enable". "Disable" is the default setting. When you select "Enable and the actual battery SOC is less than "MAX\_SOC (settable)", the battery can be charged from the grid at no more than "ChargePowerLimits" (settable) power.  
Range of "ChargePowerLimits": 0 W~rated power (W)  
The range of "MAX\_SOC" is 10%–100%; the default value is 50%.  
Range of "Reserved\_SOC": 10%–100%; the default value is 50%.  
"Reserved\_SOC" is the battery capacity saved for the next peak shaving in the non-peak shaving period.

|   |   |   |
|---|---|---|
| <b>User Setting</b><br>> Peak shaving mode                                    | <b>Peak shaving mode</b><br>>DisChgPeriod1<br>DisChgPeriod2<br>ChargeFromGrid | <b>DisChgPeriod1</b><br>ShavingStartTime<br><br>07:00                         |
| <b>DisChgPeriod1</b><br>ShavingEndTime<br><br>15:00                           | <b>DisChgPeriod1</b><br>ShavingLimits1<br><br>0W                              | <b>Peak shaving mode</b><br>DisChgPeriod1<br>>DisChgPeriod2<br>ChargeFromGrid |
| <b>DisChgPeriod2</b><br>ShavingStartTime<br><br>19:00                         | <b>DisChgPeriod2</b><br>ShavingEndTime<br><br>23:00                           | <b>DisChgPeriod2</b><br>ShavingLimits2<br><br>0W                              |
| <b>Peak shaving mode</b><br>DisChgPeriod1<br>DisChgPeriod2<br>>ChargeFromGrid | <b>ChargeFromGrid</b><br>ChargeFromGrid<br><br>Disable                        | <b>ChargeFromGrid</b><br>ChargePowerLimits<br><br>1000W                       |
| <b>ChargeFromGrid</b><br>MAX_SOC<br><br>50%                                   | <b>Peak shaving mode</b><br>DisChgPeriod2<br>ChargeFromGrid<br>>Reserved_SOC  | <b>ReservedSOC</b><br>Reserved_SOC<br><br>50%                                 |

9) Dry Contact

When the user uses the inverter communication control external device function, you can enter here to set the parameters of the external response control. For the setting method, please refer to the user manual of the compatible external device.  
If the user uses the inverter dry contacts to control external devices (such as heat pumps) through the Adapter box, please refer to the Adapter box quick installation manual to set the parameters here.

|  |
|--|
| <b>Load Management</b><br>> Mode Select<br><br>Disable |
| <b>Load Management</b><br>Switch<br>ON OFF             |

|  |
|--|
| <b>Load Management</b><br>> Mode Select<br><br>Manual    |
| <b>Load Management</b><br>> Mode Select<br><br>SmartSave |

|  |   |
|--|---|
| <b>Load Management</b><br>Thresholds on Feedin power<br>3000W  | <b>Load Management</b><br>Thresholds off Consumption<br>500W    |
| <b>Load Management</b><br>Thresholds off Battery SoC<br>40%    | <b>Load Management</b><br>Minimum duration per on-signal<br>5 M |
| <b>Load Management</b><br>Minimum duration per day<br>900 M    | <b>Load Management</b><br>> Schedule<br>Enable                  |
| <b>Load Management</b><br>Work Period 1<br>Start time<br>00:00 | <b>Load Management</b><br>Work Period 1<br>End time<br>00:00    |
| <b>Load Management</b><br>Work Period 2<br>Start time<br>00:00 | <b>Load Management</b><br>Work Period 2<br>End time<br>00:00    |

10) User Password

The default password for the end user is "0000", where you can reset the new password and press the up/down key to increase or decrease the value. Press "Enter" to confirm the value and jump to the next digit. When all passwords have been entered and confirmed, press "OK" to set the password successfully.

**User Password**

> 0 0 0 0

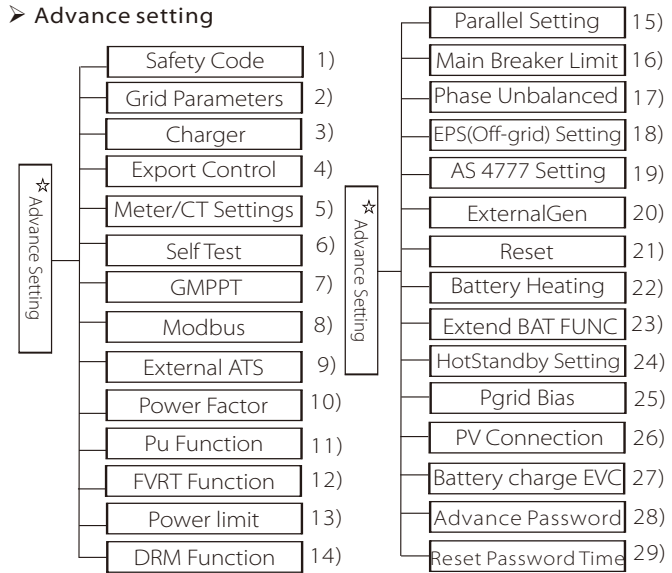
11) Reset Password Time

During the password-free time of setting, selecting **Reset Password Time** to return to the **Setting** interface can end the password-free time in advance. If you want to re-enter the settings, you need to enter the password again, to start another password-free time.

**User Setting**

User Password  
>Reset Password Time

➤ Advance setting



All advanced settings can be set here, such as battery, grid, EPS(Off-grid), etc.

"Advanced" setting is generally customization and resetting for battery and grid. Each part has lower level parts.

Please contact your installer or factory and enter the installer password.

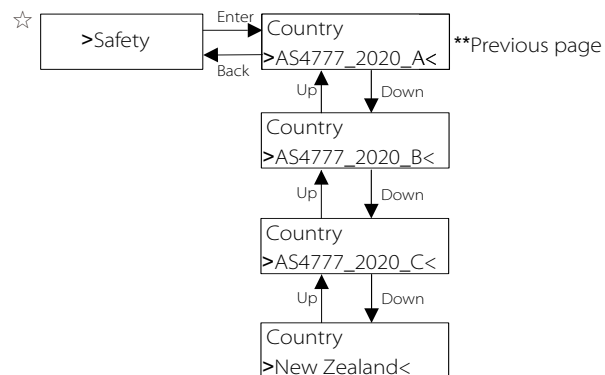
**Advanced**

Safety Code  
> Grid Parameters

1) Safety Code

User can set safety standard according to different countries and grid tied standards. There are 8 standards to select. **(May be changed or added without notice)**

| Item | Standard    | Country     |
|------|-------------|-------------|
| 1    | VDE 0126    | German      |
| 2    | ARN 4015    | German      |
| 3    | AS 4777     | Australia   |
| 4    | EN 50549_EU | Netherlands |
| 5    | G98/G99     | UK          |
| 6    | EN 50438_NL | Netherlands |
| 7    | CEI 0-21    | Italy       |
| 8    | IEC61727_In | India       |



| Region             | Australia A   | Australia B   | Australia C   | New Zealand |               |
|--------------------|---------------|---------------|---------------|-------------|---------------|
| Standard Code Name | AS4777_2020_A | AS4777_2020_B | AS4777_2020_C | New Zealand | Setting Range |
| OV-G-V             | 265V          | 265V          | 265V          | 265V        | 230-300V      |
| OV-G-V2            | 275V          | 275V          | 275V          | 275V        | 1-2S          |
| OV-GV2-T           | 0.1S          | 0.1S          | 0.1S          | 0.1S        | 230-300V      |
| UN-G-V1            | 180V          | 180V          | 180V          | 180V        | 0-0.2S        |
| UNGV1-T            | 10S           | 10S           | 10S           | 10S         | 40-230V       |
| UN-G-V2            | 70V           | 70V           | 70V           | 70V         | 10-11S        |
| UNGV2-T            | 1.5S          | 1.5S          | 1.5S          | 1.5S        | 40-230V       |
| OV-G-F1            | 52HZ          | 52HZ          | 55HZ          | 55HZ        | 1-2S          |
| OVGF1-T            | 0.1S          | 0.1S          | 0.1S          | 0.1S        | 50-55HZ       |
| OV-G-F2            | 52HZ          | 52HZ          | 55HZ          | 55HZ        | 0-0.2S        |
| OVGF2-T            | 0.1S          | 0.1S          | 0.1S          | 0.1S        | 50-55HZ       |
| OV-GV1-T           | 1.5S          | 1.5S          | 1.5S          | 1.5S        | 0-0.2S        |
| UN-G-F1            | 47HZ          | 47HZ          | 45HZ          | 45HZ        | 45-50HZ       |
| UNGF1-T            | 1.5S          | 1.5S          | 5S            | 1.5S        | 1-6S          |
| UN-G-F2            | 47HZ          | 47HZ          | 45HZ          | 45HZ        | 45-50HZ       |
| UNGF2-T            | 1.5S          | 1.5S          | 5S            | 1.5S        | 1-6S          |
| Startup-T          | 60S           | 60S           | 60S           | 60S         | 15-1000S      |
| Restore-T          | 60S           | 60S           | 60S           | 60S         | 15-600S       |
| Recover-VH         | 253V          | 253V          | 253V          | 253V        |               |
| Recover-VL         | 205V          | 205V          | 205V          | 198V        |               |
| Recover-FH         | 50.15Hz       | 50.15Hz       | 50.15Hz       | 50.15Hz     |               |
| Recover-FL         | 47.5Hz        | 47.5Hz        | 47.5Hz        | 47.5Hz      |               |
| Start-VH           | 253V          | 253V          | 253V          | 253V        |               |
| Start-VL           | 205V          | 205V          | 205V          | 198V        |               |
| Start-FH           | 50.15Hz       | 50.15Hz       | 50.15Hz       | 50.15Hz     |               |
| Start-FL           | 47.5Hz        | 47.5Hz        | 47.5Hz        | 47.5Hz      |               |

## 2) Grid Parameters

Setting path: Main -> Setting -> Advance Setting -> Grid Parameters.

Here you can set the protection value of grid voltage and frequency. The default value is the specified value under the current safety regulations, and the user cannot change it.

The display content will be displayed according to the requirements of local laws and regulations, which are constantly increasing. Please refer to the contents displayed on the inverter screen.

|   |  |  |
|---|--|--|
| <b>Grid Parameters</b><br>>OverVoltage_L1<br>265.0V | <b>Grid Parameters</b><br>>UnderVoltage_L1<br>180.0V     | <b>Grid Parameters</b><br>>OverFreq_L1<br>52.00Hz          |
| <b>Grid Parameters</b><br>>UnderFreq_L1<br>47.00Hz  | <b>Grid Parameters</b><br>>Vac 10min Avg<br>258.0V       | <b>Grid Parameters</b><br>>OverVoltage_L2<br>275.0V        |
| <b>Grid Parameters</b><br>>UnderVoltage_L2<br>70.0V | <b>Grid Parameters</b><br>>OverFreq_L2<br>52.00Hz        | <b>Grid Parameters</b><br>>UnderFreq_L2<br>47.00Hz         |
| <b>Grid Parameters</b><br>>Tovp_L1<br>1000ms        | <b>Grid Parameters</b><br>>Tuvp_L1<br>10000ms            | <b>Grid Parameters</b><br>>Tofp_L1<br>100ms                |
| <b>Grid Parameters</b><br>>Tufp_L1<br>1000ms        | <b>Grid Parameters</b><br>>Tovp_L2<br>100ms              | <b>Grid Parameters</b><br>>Tuvp_L2<br>1000ms               |
| <b>Grid Parameters</b><br>>Tofp_L2<br>100ms         | <b>Grid Parameters</b><br>>Tufp_L2<br>1000ms             | <b>Grid Parameters</b><br>>Reconnection Time<br>60s        |
| <b>Grid Parameters</b><br>>Checking Time<br>60s     | <b>Grid Parameters</b><br>> OFPL_Setting                 | <b>OFPL_Setting</b><br>OFPL_Curve<br>Symmetric             |
| <b>OFPL_Setting</b><br>OFPL_Curve<br>Asymmetry      | <b>OFPL_Setting</b><br>OFPL_RemovePoint(Aus.)<br>50.10Hz | <b>OFPL_Setting</b><br>OFPL_OverFreqhyste(Aus.)<br>50.15Hz |
| <b>OFPL_Setting</b><br>OFPL_StartPoint<br>50.25Hz   | <b>OFPL_Setting</b><br>OFPL_DropRate<br>5%               | <b>OFPL_Setting</b><br>OFPL_DelayTime<br>0.05              |

|   |  |  |
|---|--|--|
| <b>OFPL_Setting</b><br>W(Gra)<br>19.00%                     | <b>OFPL_Setting</b><br>Tstop<br>20S                    | <b>OFPL_Setting</b><br>fstop-disch<br>50.75Hz            |
| <b>OFPL_Setting</b><br>fP min<br>52.00Hz                    | <b>Grid Parameters</b><br>> UFPL_Setting               | <b>UFPL_Setting</b><br>UFPL_RemovePoint(Aus.)<br>49.90Hz |
| <b>UFPL_Setting</b><br>UFPL_UnderFreqhyste(Aus.)<br>49.85Hz | <b>UFPL_Setting</b><br>UFPL_StartPoint<br>49.75Hz      | <b>UFPL_Setting</b><br>UFPL_DropRate<br>2%               |
| <b>UFPL_Setting</b><br>UFPL_DelayTime<br>0.0S               | <b>OFPL_Setting</b><br>fstop-ch<br>49.00Hz             | <b>OFPL_Setting</b><br>fP max<br>48.00Hz                 |
| <b>Grid Parameters</b><br>Local Command<br>0 1              | <b>Grid Parameters</b><br>Connect Slope<br>0%          | <b>Grid Parameters</b><br>Reconnect Slope<br>0%          |
| <b>Grid Parameters</b><br>Vac 10min Time<br>603s            | <b>Grid Parameters</b><br>> Connection                 | <b>Connection</b><br>Low frequency<br>00.00Hz            |
| <b>Connection</b><br>High frequency<br>00.00Hz              | <b>Connection</b><br>Low voltage<br>00.0V              | <b>Connection</b><br>High voltage<br>00.0V               |
| <b>Connection</b><br>Observation time<br>0.0S               | <b>Connection</b><br>Gradient Select<br>Disable Enable | <b>Connection</b><br>Gradient<br>0%                      |
| <b>Grid Parameters</b><br>> Reconnection                    | <b>Reconnection</b><br>Low frequency<br>00.00Hz        | <b>Reconnection</b><br>High frequency<br>00.00Hz         |
| <b>Reconnection</b><br>Low voltage<br>00.0V                 | <b>Reconnection</b><br>High voltage<br>00.0V           | <b>Reconnection</b><br>Observation time<br>0.0S          |
| <b>Reconnection</b><br>Gradient Select<br>Disable Enable    | <b>Reconnection</b><br>Gradient<br>0%                  | <b>Grid Parameters</b><br>> Pf Function                  |
| <b>Pf Function</b><br>Disable Enable                        |  |  |

### 3) Charger

Here the user can set the parameters of charger on this page, the inverter is compatible with both lithium battery. Users can set the charge & discharge parameters.

For the detailed parameters, please refer to below table.

|   |  |
|---|--|
| <b>Charger</b><br>Battery Type<br>Lead Acid Lithium | <b>Charger</b><br>Lead Acid                      |
| <b>Charger</b><br>Charge Equalization<br>00.0V      | <b>Charger</b><br>Charge float<br>00.0V          |
| <b>Charger</b><br>Discharge Cut<br>00.0V            | <b>Charger</b><br>Discharge BackUp<br>00.0V      |
| <b>Charger</b><br>>Max Charge Current:<br>30A       | <b>Charger</b><br>>Max Discharge Current:<br>30A |
| <b>Charger</b><br>Charge upper limit<br>100%        | <b>Charger</b><br>Lithium                        |
| <b>Charger</b><br>>Max Charge Current:<br>30A       | <b>Charger</b><br>>Max Discharge Current:<br>30A |
| <b>Charger</b><br>Charge upper limit<br>100%        |  |

### 4) Export Control

This feature allows the inverter to control the amount of electricity output to the grid.

The factory value is the default and can be changed by the user. The user value set by setup must be less than the maximum. If the user does not want to supply power to the grid, set it to 0.

|  |
|--|
| <b>Export Control</b><br>User value:<br>0W |
|--|

5) Meter/CT Settings

The user needs to select the CT or electricity meter to connect the inverter here. CT is a default, when users choose CT, there is only Meter 2 Addr setting. All will show on the inverter screen when users choose Meter.

"Installation Check" is for checking whether the meter/CT is properly connected when the inverter is well installed. "Cyclic Check" is for periodically checking whether the meter/CT is in good condition when the inverter is running.

Users can set "Enable" under the "Installation Check" setting to check the connection status of the meter/CT and automatically correct "Meter/CT status: Disable" due to the wrong connection of the meter/CT. A reverse connection of a meter/CT cannot be corrected through this setting. Users set "Enable" under the "Cyclic Check" for periodically checking the condition of the meter/CT.

|  |  |
|--|--|
| <b>CT/Meter Setting</b><br>> Select<br>Meter      CT                     | <b>CT/Meter Setting</b><br>> Select<br>Disable      Enable                     |
| <b>CT/Meter Setting</b><br>> Meter 1Addr:<br>1                           | <b>CT/Meter Setting</b><br>> Meter 2 Addr:<br>2                                |
| <b>CT/Meter Setting</b><br>> Meter 1Direction:<br>Positive      Negative | <b>CT/Meter Setting</b><br>> Meter 2 Direction:<br>Positive      Negative      |
| <b>CT/Meter Setting</b><br>CT Type<br>100A/200A                          | <b>CT/Meter Setting</b><br>> External INV<br>Disable      Enable               |
| <b>Meter/CT Setting</b><br>> Meter/CT Check                              | <b>Meter/CT Check</b><br>> Installation Check<br>Disable<br>CT status: Disable |
| <b>Meter/CT Check</b><br>> Cyclic Check<br>Disable                       |  |

6) Self Test (only for CEI 0-21)

The self test function allows users to test the following items. "Full test", "Ovp(59.S2) test", "Uvp (s1) test", "Uvp (27. s2) test", "Ofp (81 > .S1) test", "Ufp (81 <.S1) test", "Ufp (81 > .S2) test", "Ufp (81 <.S2) test", "Ovp10 (59. s1) test".

In the self-test interface, the user can select "all tests" or a single test item for testing.

Before testing, make sure that the inverter is connected to the grid.

All tests take about 6 minutes. And it will display "Success" and then "Delivery".

For a single test item, it takes about a few seconds or minutes.

Click "Test Report" to view the test results of all items.

|   |  |
|---|--|
| <b>Self Test</b><br>ALL Test<br>Test report<br>Ovp(59.S2) test<br>Uvp(27.S1) test<br>Uvp(27.S2) test<br>Ofp(81>.S1) test<br>Ufp(81<.S1) test<br>Ofp2(81>.S2) test<br>Ufp2(81<.S2) test<br>Ovp10(59.S1) test |  |
| <b>Self Test</b><br>All Test  | <b>Ovp(59.S2)test</b><br>Vt: 0.0V Tt: 0ms<br>Vs: 0.0V To: 0ms<br>V0: 0.0V Test/Pass      |
| <b>Uvp(27.S1)test</b><br>Vt: 0.0V Tt: 0ms<br>Vs: 0.0V To: 0ms<br>V0: 0.0V Test/Pass   | <b>Uvp(27.S2)test</b><br>Vt: 0.0V Tt: 0ms<br>Vs: 0.0V To: 0ms<br>V0: 0.0V Test/Pass      |
| <b>Ofp(81&gt;.S1)test</b><br>Vt: 0.0V Tt: 0ms<br>Vs: 0.0V To: 0ms<br>V0: 0.0V Test/Pass   | <b>Ufp2(81&lt;.S1)test</b><br>Vt: 0.0V Tt: 0ms<br>Vs: 0.0V To: 0ms<br>V0: 0.0V Test/Pass |
| <b>Ofp2(81&gt;.S2)test</b><br>Vt: 0.0V Tt: 0ms<br>Vs: 0.0V To: 0ms<br>V0: 0.0V Test/Pass  | <b>Ufp2(81&lt;.S2)test</b><br>Vt: 0.0V Tt: 0ms<br>Vs: 0.0V To: 0ms<br>V0: 0.0V Test/Pass |



|  |  |
|--|--|
| <b>Ovp_10(59.S1)test</b><br>Vt: 0.0V Tt: 0ms<br>Vs: 0.0V To: 0ms<br>V0: 0.0V Test/Pass   | <b>Self Test</b><br><br>Test Report  |
| <b>Ovp(59.S2)result</b><br>Vt: 0.0V Tt: 0ms<br>Vs: 0.0V To: 0ms<br>V0: 0.0V NA/Pass      | <b>Uvp(27.S1)result</b><br>Vt: 0.0V Tt: 0ms<br>Vs: 0.0V To: 0ms<br>V0: 0.0V NA/Pass      |
| <b>Uvp(27.S2)result</b><br>Vt: 0.0V Tt: 0ms<br>Vs: 0.0V To: 0ms<br>V0: 0.0V NA/Pass      | <b>Ofp(81&gt;.S1)result</b><br>Vt: 0.0V Tt: 0ms<br>Vs: 0.0V To: 0ms<br>V0: 0.0V NA/Pass  |
| <b>Ufp(81&lt;.S1)result</b><br>Vt: 0.0V Tt: 0ms<br>Vs: 0.0V To: 0ms<br>V0: 0.0V NA/Pass  | <b>Ofp2(81&gt;.S2)result</b><br>Vt: 0.0V Tt: 0ms<br>Vs: 0.0V To: 0ms<br>V0: 0.0V NA/Pass |
| <b>Ufp2(81&lt;.S2)result</b><br>Vt: 0.0V Tt: 0ms<br>Vs: 0.0V To: 0ms<br>V0: 0.0V NA/Pass | <b>Ovp10(59.S1)result</b><br>Vt: 0.0V Tt: 0ms<br>Vs: 0.0V To: 0ms<br>V0: 0.0V NA/Pass    |

7) GMPPT

Here, you can set the shadow tracking with four options, which are off, low, middle, and high.

|  |  |
|--|--|
| <b>GMPPT</b><br>PV1 Control<br>OFF/Low/Middle/High | <b>GMPPT</b><br>PV2 Control<br>OFF/Low/Middle/High |
|--|--|

8) Modbus

Here you select the baud rate of the external communication protocol.

|                                      |                                |
|--------------------------------------|--------------------------------|
| <b>Modbus</b><br>Baud Rate:<br>19200 | <b>Modbus</b><br>Address:<br>1 |
|--------------------------------------|--------------------------------|

9) External ATS

INCORRECT line sequence (R-R, S-S, T-T, N-N) will damage the inverter. To avoid the damage, the default "Disable" has been set to "Enable" in "External ATS" under "Advance Settings". Users should set the default setting back to "Disable". External ATS needs to be set to "Enable" only when a matebox advanced is connected.

|   |
|---|
| <b>External ATS</b><br>Functional Control<br>Disable Enable |
|---|

10) Power Factor (applicable to specific countries, please refer to local grid requirements)

|   |   |
|---|---|
| <b>Power Factor</b><br>Mode Select<br>> Off <           | <b>Power Factor</b><br>Mode Select<br>> Over-excited <  |
| <b>Power Factor</b><br>Mode Select<br>> Under-Excited < | <b>Power Factor</b><br>Mode Select<br>> Curve <         |
| <b>Power Factor</b><br>Mode Select<br>> Q(u) <          | <b>Power Factor</b><br>Mode Select<br>> Fixed Q Power < |

| Mode          | Comment                       |
|---------------|-------------------------------|
| Off           | -                             |
| Over-Excited  | PF value                      |
| Under-Excited | PF value                      |
| Curve         | P1_PF                         |
|               | P2_PF                         |
|               | P3_PF                         |
|               | P4_PF                         |
|               | Power 1                       |
|               | Power 2                       |
|               | Power 3                       |
|               | Power 4                       |
|               | PfLockInPoint (EU50549 only)  |
|               | PfLockOutPoint (EU50549 only) |
| Q(u)          | 3Tau                          |
|               | SetQuPower1                   |
|               | SetQuPower2                   |
|               | SetQuPower3                   |
|               | SetQuPower4                   |
|               | QuRespondV1( AS4777.2 only)   |
|               | QuRespondV2( AS4777.2 only)   |
|               | QuRespondV3( AS4777.2 only)   |
|               | QuRespondV4( AS4777.2 only)   |
|               | K                             |
|               | 3Tau                          |
|               | QuDelayTimer                  |
|               | QuLockEn                      |
| Fixed Q Power | Q Power                       |

| QuLockSetting  |                   |
|----------------|-------------------|
| QuLockFunction | Enable    Disable |

| QuLockSetting |    |
|---------------|----|
| QuLockIn      | 0% |

| QuLockSetting |    |
|---------------|----|
| QuLockOut     | 0% |

11) PU Function (applicable to specific countries, please refer to local grid requirements)  
 The PU function is a volt-watt response mode required by certain national standards such as AS4777.2. This function can control the active power of the inverter according to the grid voltage. Selecting "Enable" means that this function is turned on and is the default value. Select "Disable" to deactivate the function.

| <table border="1"> <thead> <tr> <th>PU Function</th> </tr> </thead> <tbody> <tr> <td>&gt;PuFunction</td> </tr> <tr> <td>Enable</td> </tr> </tbody> </table> | PU Function | >PuFunction  | Enable | <table border="1"> <thead> <tr> <th>PU Function</th> </tr> </thead> <tbody> <tr> <td>Response V1</td> </tr> <tr> <td>0.0V</td> </tr> </tbody> </table> | PU Function | Response V1  | 0.0V | <table border="1"> <thead> <tr> <th>PU Function</th> </tr> </thead> <tbody> <tr> <td>Response V2</td> </tr> <tr> <td>0.0V</td> </tr> </tbody> </table>           | PU Function | Response V2  | 0.0V               |
|---|-------------|--------------|--------|--|-------------|--------------|------|--|-------------|--------------|--------------------|
| PU Function   |             |              |        |  |             |              |      |  |             |              |                    |
| >PuFunction   |             |              |        |  |             |              |      |  |             |              |                    |
| Enable  |             |              |        |  |             |              |      |  |             |              |                    |
| PU Function   |             |              |        |  |             |              |      |  |             |              |                    |
| Response V1   |             |              |        |  |             |              |      |  |             |              |                    |
| 0.0V  |             |              |        |  |             |              |      |  |             |              |                    |
| PU Function   |             |              |        |  |             |              |      |  |             |              |                    |
| Response V2   |             |              |        |  |             |              |      |  |             |              |                    |
| 0.0V  |             |              |        |  |             |              |      |  |             |              |                    |
| <table border="1"> <thead> <tr> <th>PU Function</th> </tr> </thead> <tbody> <tr> <td>Response V3</td> </tr> <tr> <td>0.0V</td> </tr> </tbody> </table>      | PU Function | Response V3  | 0.0V   | <table border="1"> <thead> <tr> <th>PU Function</th> </tr> </thead> <tbody> <tr> <td>Response V4</td> </tr> <tr> <td>0.0V</td> </tr> </tbody> </table> | PU Function | Response V4  | 0.0V | <table border="1"> <thead> <tr> <th>PU Function</th> </tr> </thead> <tbody> <tr> <td>3Tau</td> </tr> <tr> <td>0S</td> </tr> </tbody> </table>                    | PU Function | 3Tau         | 0S                 |
| PU Function   |             |              |        |  |             |              |      |  |             |              |                    |
| Response V3   |             |              |        |  |             |              |      |  |             |              |                    |
| 0.0V  |             |              |        |  |             |              |      |  |             |              |                    |
| PU Function   |             |              |        |  |             |              |      |  |             |              |                    |
| Response V4   |             |              |        |  |             |              |      |  |             |              |                    |
| 0.0V  |             |              |        |  |             |              |      |  |             |              |                    |
| PU Function   |             |              |        |  |             |              |      |  |             |              |                    |
| 3Tau  |             |              |        |  |             |              |      |  |             |              |                    |
| 0S  |             |              |        |  |             |              |      |  |             |              |                    |
| <table border="1"> <thead> <tr> <th>PU Function</th> </tr> </thead> <tbody> <tr> <td>SetPuPower 1</td> </tr> <tr> <td>0%</td> </tr> </tbody> </table>       | PU Function | SetPuPower 1 | 0%     | <table border="1"> <thead> <tr> <th>PU Function</th> </tr> </thead> <tbody> <tr> <td>SetPuPower 2</td> </tr> <tr> <td>0%</td> </tr> </tbody> </table>  | PU Function | SetPuPower 2 | 0%   | <table border="1"> <thead> <tr> <th>PU Function</th> </tr> </thead> <tbody> <tr> <td>SetPuPower 3</td> </tr> <tr> <td>0%</td> </tr> </tbody> </table>            | PU Function | SetPuPower 3 | 0%                 |
| PU Function   |             |              |        |  |             |              |      |  |             |              |                    |
| SetPuPower 1  |             |              |        |  |             |              |      |  |             |              |                    |
| 0%  |             |              |        |  |             |              |      |  |             |              |                    |
| PU Function   |             |              |        |  |             |              |      |  |             |              |                    |
| SetPuPower 2  |             |              |        |  |             |              |      |  |             |              |                    |
| 0%  |             |              |        |  |             |              |      |  |             |              |                    |
| PU Function   |             |              |        |  |             |              |      |  |             |              |                    |
| SetPuPower 3  |             |              |        |  |             |              |      |  |             |              |                    |
| 0%  |             |              |        |  |             |              |      |  |             |              |                    |
| <table border="1"> <thead> <tr> <th>PU Function</th> </tr> </thead> <tbody> <tr> <td>SetPuPower 4</td> </tr> <tr> <td>0%</td> </tr> </tbody> </table>       | PU Function | SetPuPower 4 | 0%     | <table border="1"> <thead> <tr> <th>PU Function</th> </tr> </thead> <tbody> <tr> <td>3Tau_Charge</td> </tr> <tr> <td>0S</td> </tr> </tbody> </table>   | PU Function | 3Tau_Charge  | 0S   | <table border="1"> <thead> <tr> <th>PU Function</th> </tr> </thead> <tbody> <tr> <td>Pu Type</td> </tr> <tr> <td>Static    Dynamics</td> </tr> </tbody> </table> | PU Function | Pu Type      | Static    Dynamics |
| PU Function   |             |              |        |  |             |              |      |  |             |              |                    |
| SetPuPower 4  |             |              |        |  |             |              |      |  |             |              |                    |
| 0%  |             |              |        |  |             |              |      |  |             |              |                    |
| PU Function   |             |              |        |  |             |              |      |  |             |              |                    |
| 3Tau_Charge   |             |              |        |  |             |              |      |  |             |              |                    |
| 0S  |             |              |        |  |             |              |      |  |             |              |                    |
| PU Function   |             |              |        |  |             |              |      |  |             |              |                    |
| Pu Type   |             |              |        |  |             |              |      |  |             |              |                    |
| Static    Dynamics  |             |              |        |  |             |              |      |  |             |              |                    |

12 ) FVRT Function(apply to50549)

Here you can set the high and low enable or disable.

| FVRT Function    |        | FVRT Function |  | FVRT Function |  |
|------------------|--------|---------------|--|---------------|--|
| Function Control |        | VacUpper      |  | VacLower      |  |
| Disable          | Enable | 00.0V         |  | 00.0V         |  |

13 ) Power limit

Power limit function, the maximum power of the AC port can be set by percentage.

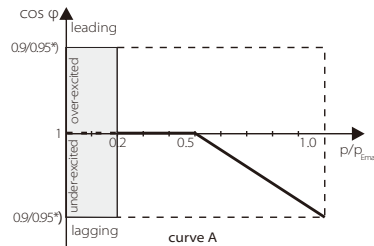
| Power Limit |      |
|-------------|------|
| >Proportion | 1.00 |

- Reactive power control, reactive power standard curve  $\cos \varphi = f(P)$

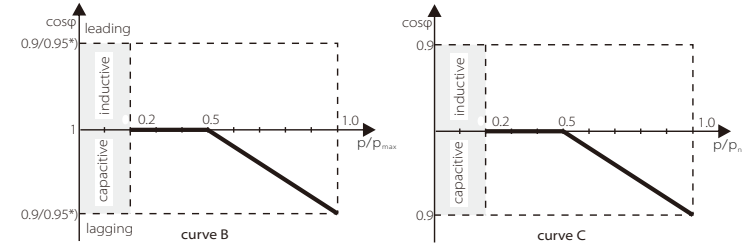
For VDE ARN 4105, the curve  $\cos \varphi = f(P)$  should refer to curve A. The set default value is shown in curve A.

For TOR, the curve  $\cos \varphi = f(P)$  should be curve B. The set default value is shown in curve B.

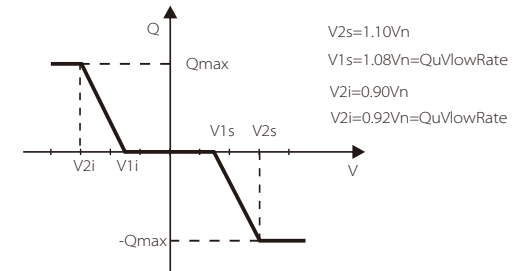
For CEI 0-21, the default value of PFLockInPoint is 1.05. When  $V_{ac} > 1.05V_n$ ,  $P_{ac} > 0.2 P_n$ , curve  $\cos \varphi = f(P)$  corresponds to curve C.



\*) If the grid-connected power of the inverter  $\leq 4.6kW$ , the Power Factor is 0.95 at 1.0 power; if the grid-connected power of the inverter  $> 4.6kW$ , the Power Factor is 0.90 at 1.0 power.



- Reactive power control, reactive power standard curve  $Q = f(V)$ .



14 ) DRM function (applied to NZS4777.2)

The DRM function is a demand response method required by the NZS4777.2 standard and is only applicable to NZS4777.2. The default value is "enable". Select "Disable" to disable this function.

| DRM Function      |                |
|-------------------|----------------|
| >Function Control | Enable Disable |

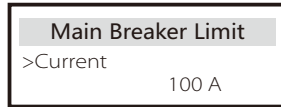
15 ) Parallel Setting

If a parallel operation is required, the user may set it with Parallel Setting.

| Parallel Setting                     |        | Parallel Setting  |    |
|--------------------------------------|--------|-------------------|----|
| > Status Free/Master/Slave_1 Setting |        | resistance switch |    |
| Free                                 | Master | OFF               | ON |
| Parallel Setting                     |        |                   |    |
| ARM Comm Check                       |        |                   |    |
| Yes                                  | No     |                   |    |

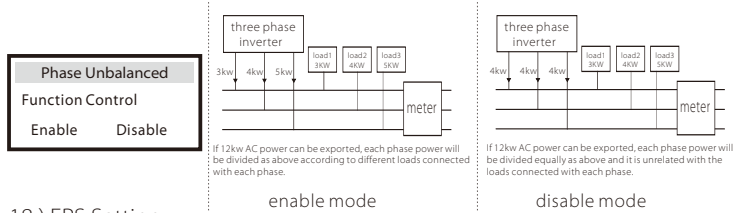
16) Main Breaker Limit

For power limit of smart meter or CT, the current must be set in line with the utility's contract requirements. In case of failure to set, it may cause a circuit breaker fault of main switchboard, adversely affecting the charging or discharging of battery. Click Main Breaker Limit to enter the setting interface, and then choose the corresponding amperage according to the utility's requirements.



17) Phase Unbalanced

This function controls the distribution of AC output power. "Enable" means each phase will be divided according to the loads connected with each phase. "Disable" means each phase power will be divided equally and "disable" is the default setting value.

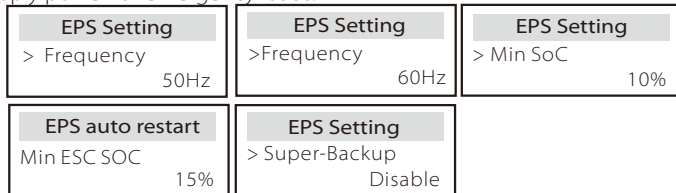


18) EPS Setting

Users can set the "Frequency", "Mini SoC", "Min ESC SoC" and "Super-Backup" under the "EPS Setting" interface to solve the energy supply to loads under EPS mode.

The default frequency is 50Hz. Users set "Min SoC" to limit the energy battery discharging to EPS loads. When the actual battery SOC is lower than the "Min SOC", the inverter displays "Bat Power Low" and the batteries stop discharging energy to EPS loads. If there is PV, PV will charge the battery. When the actual battery SoC reaches the "Min ESC SoC", the battery will restart to charge EPS loads and the inverter will automatically enter EPS mode. The default value of "Min SoC" is 10% and it can be set between 10% ~ 25%. The default value of "Min ESC SoC" is 30% and it can be set between 15% ~ 100%.

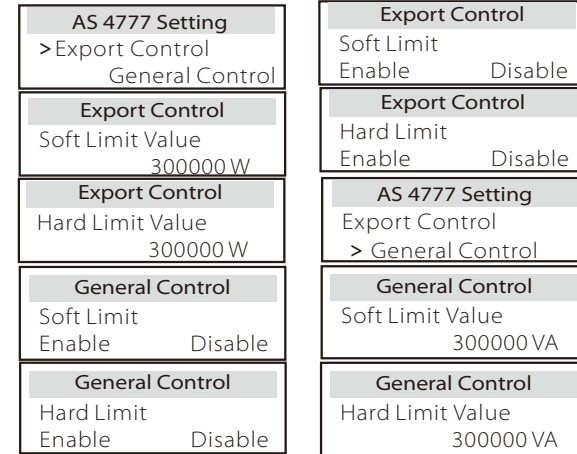
When no battery is connected and the PV can generate power, users can set "Enable" under the "Super-Backup" setting, which means the PV energy is used as backup power to allow the inverter to enter EPS mode and supply power for emergency loads.



for lithium battery

19) AS 4777 Setting

It is the same as the function of Export Control, but it's only applicable to Australia and New Zealand.

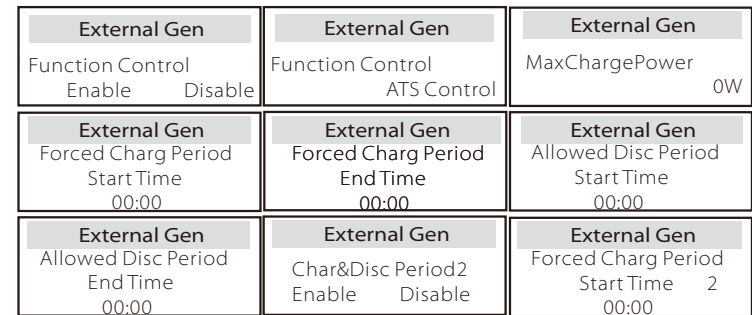


20) ExternalGen

Setting path: Advance Setting->ExternalGen->Function Control: Enable/Disable; Max Charge Power: \*\*\*W.

The set value of power must meet the following two conditions when the maximum charging power of batteries is to be set.

- 1) The value of Max Charge Power is less than that of rated power of the generator minus total load power.
- 2) The value of Max Charge Power is less than or equals that of rated power of the inverter.



|  |   |  |
|--|---|--|
| <b>External Gen</b><br>Forced Charge Period<br>End Time 2<br>00:00   | <b>External Gen</b><br>Allowed Disc Period<br>Start Time 2<br>00:00 | <b>External Gen</b><br>Allowed Disc Period<br>End Time 2<br>00:00  |
| <b>External Gen</b><br>Charge from grid<br>Enable                    | <b>Charge from grid</b><br>Charge battery to<br>10%                 | <b>ExternalGen</b><br>Function Control<br>Dry Contact              |
| <b>ExternalGen</b><br>MaxChargePower<br>0W                           | <b>ExternalGen</b><br>Start Gen Method<br>reference soc             | <b>ExternalGen</b><br>Switch on SoC<br>0%                          |
| <b>ExternalGen</b><br>Switch off SoC<br>0%                           | <b>ExternalGen</b><br>MaxRunTime<br>0Min                            | <b>ExternalGen</b><br>MaxRestTime<br>0Min                          |
| <b>ExternalGen</b><br>Char&Disc Period2<br>Enable Disable            | <b>ExternalGen</b><br>Forced Charge Period<br>Start Time 2<br>00:00 | <b>ExternalGen</b><br>Allow Work<br>start time<br>00:00            |
| <b>ExternalGen</b><br>Allow Work<br>stop time<br>00:00               | <b>ExternalGen</b><br>Forced Charge Period<br>End Time 2<br>00:00   | <b>ExternalGen</b><br>Allowed Disc Period<br>Start Time 2<br>00:00 |
| <b>External Gen</b><br>Forced Charge Period<br>Start Time 1<br>00:00 | <b>External Gen</b><br>Forced Charge Period<br>End Time 1<br>00:00  | <b>External Gen</b><br>Allowed Disc Period<br>End Time 2<br>00:00  |
| <b>External Gen</b><br>Charge from grid:<br>Enable                   | <b>External Gen</b><br>Allowed Disc Period<br>Start Time 1<br>00:00 | <b>External Gen</b><br>Allowed Disc Period<br>End Time 1<br>00:00  |
| <b>External Gen</b><br>Charge battery to<br>10%                      | <b>External Gen</b><br>Charge from grid<br>Enable                   | <b>Charge from grid</b><br>Charge battery to<br>10%                |

21 ) Reset

Users can reset the reset error log, meter power ,inverter power, and restore factory settings here.

|  |   |
|--|---|
| <b>Reset</b><br>Reset Error Log<br>Reset Meter/CT<br>Reset INV Energy<br>Reset Wifi<br>Factory Reset |   |
| <b>Reset Error Log</b><br>>Reset<br>Yes No   | <b>Reset Meter/CT</b><br>>Reset Meter/CT1<br>Yes No |
| <b>Reset Meter/CT</b><br>>Reset Meter/CT<br>Yes No   | <b>Reset INV Energy</b><br>>Reset<br>Yes No         |
| <b>Reset "Wifi"</b><br>>Reset<br>Yes No  | <b>Factory Reset</b><br>>Reset<br>Yes No            |

22 ) Battery Heating

If the battery heating function is needed, you can enable it here. After you enable this function, as long as PV is available, the battery system will be heated.

Once the battery system temperature is lower than 0 °C, the battery will be heated to 10 °C. Then you need to set the heating periods during which the battery system needs to be heated. There are two periods that can be set.

During the heating periods, if BAT actual SOC > 35%\*, the priority of heating energy source will be in the sequence of PV > BAT > grid.

During heating periods, if the BAT actual SOC < 35%\*, PV will take precedence over grid.

Out of the heating periods, the heating energy source is PV merely.

\* The inverter will synchronize to consider the battery cell voltage.

|   |   |   |
|---|---|---|
| <b>Battery Heating</b><br>>Func Select:<br>Enable Disable           | <b>Battery Heating</b><br>>Heating Period 1:<br>Start Time<br>00:00 | <b>Battery Heating</b><br>>Heating Period 1:<br>End Time<br>00:00 |
| <b>Battery Heating</b><br>>Heating Period 2:<br>Start Time<br>00:00 | <b>Battery Heating</b><br>>Heating Period 2:<br>End Time<br>00:00   |   |

23 ) Extend BAT FUNC

This function is for extending new batteries. This setting shall be invalid under the EPS mode. When it is on-grid, enabling this setting shall make the inverter charge or discharge the battery SOC to about 40%, which is convenient for adding new batteries.



24 ) HotStandby Setting

It is "Enable" by default. Setting "Disable" will make the inverter not enter standby status.



25) Pgrid Bias

Here you can set whether to discharge more to the grid or prefer to take power from the grid. If disable is selected, means no preference. If Grid is selected, the inverter will be biased to discharge the mains; if INV is selected, the inverter will be biased to take power from the mains.



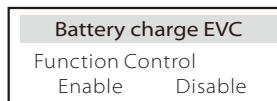
26) PV Connexion

This setting depends on the actual connection ways of PV panels.



27) Battery charge EVC

Here you can set "Enable" to allow the battery to discharge energy to an EV Charger. When you set "Disable", battery discharging energy to an EV Charger is not allowed.



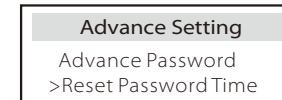
28) Advance password

Here you can reset the advanced password. "Set OK!" is displayed on success, and "Setup Failed!" will also be displayed on failure.

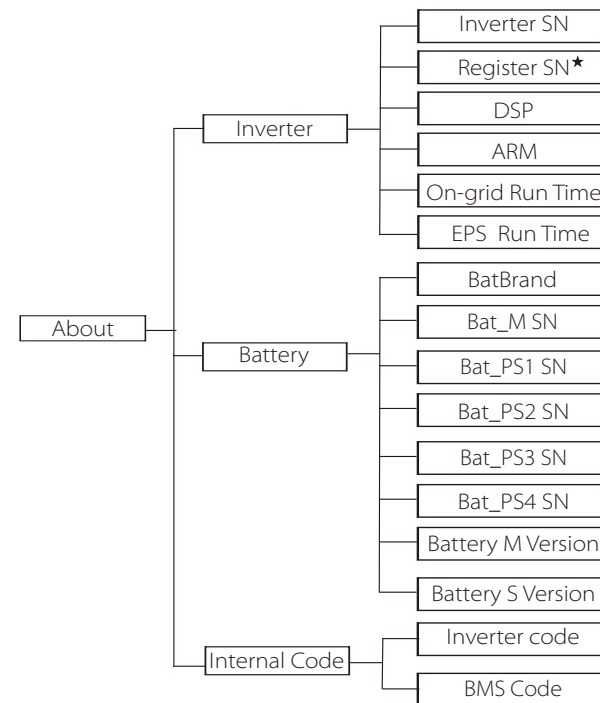


29) Reset password time

During the password-free time of setting, selecting **Reset Password Time** to return to the **Setting** interface can end the password-free time in advance. If you want to re-enter the settings, you need to enter the password again, to start another password-free time.



➤ About



★ Register1 SN: Represents the serial number of external monitoring equipment, such as Wifi Dongle, LAN Dongle.

a) About

Here you can see some basic information of the inverter and battery, such as the inverter and battery SN number, software version number, and system run time.

| About         |
|---------------|
| >Inverter     |
| Battery       |
| Internal code |

Inverter

| <table border="1"> <thead> <tr> <th>Inverter</th> </tr> </thead> <tbody> <tr> <td>&gt;Inverter SN<br/>01234560123456</td> </tr> </tbody> </table> | Inverter | >Inverter SN<br>01234560123456 | <table border="1"> <thead> <tr> <th>Inverter</th> </tr> </thead> <tbody> <tr> <td>&gt;Register SN<br/>SW12345678</td> </tr> </tbody> </table> | Inverter | >Register SN<br>SW12345678 |
|---|----------|--------------------------------|---|----------|----------------------------|
| Inverter  |          |                                |   |          |                            |
| >Inverter SN<br>01234560123456  |          |                                |   |          |                            |
| Inverter  |          |                                |   |          |                            |
| >Register SN<br>SW12345678  |          |                                |   |          |                            |
| <table border="1"> <thead> <tr> <th>Inverter</th> </tr> </thead> <tbody> <tr> <td>&gt;DSP<br/>2.07</td> </tr> </tbody> </table>                   | Inverter | >DSP<br>2.07                   | <table border="1"> <thead> <tr> <th>Inverter</th> </tr> </thead> <tbody> <tr> <td>&gt;ARM<br/>2.03</td> </tr> </tbody> </table>               | Inverter | >ARM<br>2.03               |
| Inverter  |          |                                |   |          |                            |
| >DSP<br>2.07  |          |                                |   |          |                            |
| Inverter  |          |                                |   |          |                            |
| >ARM<br>2.03  |          |                                |   |          |                            |
| <table border="1"> <thead> <tr> <th>Inverter</th> </tr> </thead> <tbody> <tr> <td>&gt;ON-grid Runtime<br/>12.3H</td> </tr> </tbody> </table>      | Inverter | >ON-grid Runtime<br>12.3H      | <table border="1"> <thead> <tr> <th>Inverter</th> </tr> </thead> <tbody> <tr> <td>&gt;EPS Runtime<br/>23.4H</td> </tr> </tbody> </table>      | Inverter | >EPS Runtime<br>23.4H      |
| Inverter  |          |                                |   |          |                            |
| >ON-grid Runtime<br>12.3H   |          |                                |   |          |                            |
| Inverter  |          |                                |   |          |                            |
| >EPS Runtime<br>23.4H   |          |                                |   |          |                            |

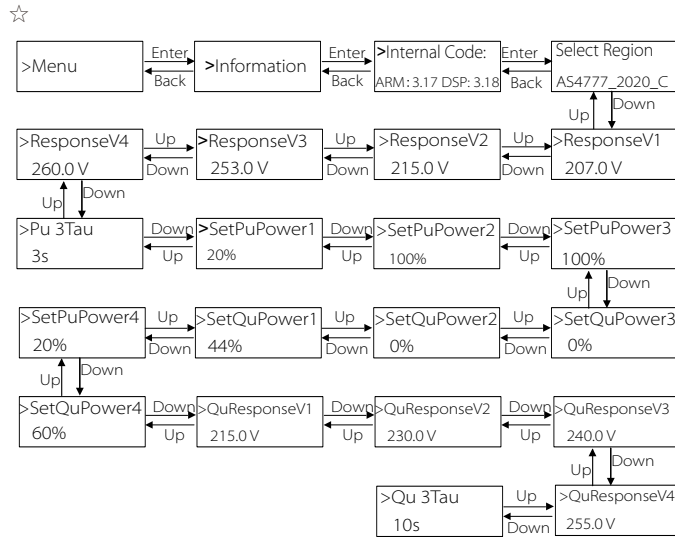
Battery

| <table border="1"> <thead> <tr> <th>Battery</th> </tr> </thead> <tbody> <tr> <td>&gt;BatBrand:BAK</td> </tr> </tbody> </table>                  | Battery | >BatBrand:BAK                 | <table border="1"> <thead> <tr> <th>Battery</th> </tr> </thead> <tbody> <tr> <td>&gt;Bat_M SN<br/>6S012345012345</td> </tr> </tbody> </table>   | Battery | >Bat_M SN<br>6S012345012345   |
|---|---------|-------------------------------|---|---------|-------------------------------|
| Battery   |         |                               |   |         |                               |
| >BatBrand:BAK   |         |                               |   |         |                               |
| Battery   |         |                               |   |         |                               |
| >Bat_M SN<br>6S012345012345   |         |                               |   |         |                               |
| <table border="1"> <thead> <tr> <th>Battery</th> </tr> </thead> <tbody> <tr> <td>&gt;Bat_PS1 SN<br/>6S012345012345</td> </tr> </tbody> </table> | Battery | >Bat_PS1 SN<br>6S012345012345 | <table border="1"> <thead> <tr> <th>Battery</th> </tr> </thead> <tbody> <tr> <td>&gt;Bat_PS2 SN<br/>6S012345012345</td> </tr> </tbody> </table> | Battery | >Bat_PS2 SN<br>6S012345012345 |
| Battery   |         |                               |   |         |                               |
| >Bat_PS1 SN<br>6S012345012345   |         |                               |   |         |                               |
| Battery   |         |                               |   |         |                               |
| >Bat_PS2 SN<br>6S012345012345   |         |                               |   |         |                               |
| <table border="1"> <thead> <tr> <th>Battery</th> </tr> </thead> <tbody> <tr> <td>&gt;Bat_PS3 SN<br/>6S012345012345</td> </tr> </tbody> </table> | Battery | >Bat_PS3 SN<br>6S012345012345 | <table border="1"> <thead> <tr> <th>Battery</th> </tr> </thead> <tbody> <tr> <td>&gt;Bat_PS4 SN<br/>6S012345012345</td> </tr> </tbody> </table> | Battery | >Bat_PS4 SN<br>6S012345012345 |
| Battery   |         |                               |   |         |                               |
| >Bat_PS3 SN<br>6S012345012345   |         |                               |   |         |                               |
| Battery   |         |                               |   |         |                               |
| >Bat_PS4 SN<br>6S012345012345   |         |                               |   |         |                               |
| <table border="1"> <thead> <tr> <th>Battery</th> </tr> </thead> <tbody> <tr> <td>&gt;Battery M Version<br/>2.01</td> </tr> </tbody> </table>    | Battery | >Battery M Version<br>2.01    | <table border="1"> <thead> <tr> <th>Battery</th> </tr> </thead> <tbody> <tr> <td>&gt;Battery S Version<br/>2.01</td> </tr> </tbody> </table>    | Battery | >Battery S Version<br>2.01    |
| Battery   |         |                               |   |         |                               |
| >Battery M Version<br>2.01  |         |                               |   |         |                               |
| Battery   |         |                               |   |         |                               |
| >Battery S Version<br>2.01  |         |                               |   |         |                               |

Internal Code

| <table border="1"> <thead> <tr> <th>Internal Code</th> </tr> </thead> <tbody> <tr> <td>&gt;Inverter code:<br/>01 00 01 xx</td> </tr> </tbody> </table> | Internal Code | >Inverter code:<br>01 00 01 xx | <table border="1"> <thead> <tr> <th>Internal Code</th> </tr> </thead> <tbody> <tr> <td>&gt;BMS code:</td> </tr> </tbody> </table>                                  | Internal Code | >BMS code:         |                    |
|--|---------------|--------------------------------|--|---------------|--------------------|--------------------|
| Internal Code  |               |                                |  |               |                    |                    |
| >Inverter code:<br>01 00 01 xx   |               |                                |  |               |                    |                    |
| Internal Code  |               |                                |  |               |                    |                    |
| >BMS code:   |               |                                |  |               |                    |                    |
| <table border="1"> <thead> <tr> <th>Internal Code</th> </tr> </thead> <tbody> <tr> <td>&gt;BAT-M<br/>2.01</td> </tr> </tbody> </table>                 | Internal Code | >BAT-M<br>2.01                 | <table border="1"> <thead> <tr> <th>Internal Code</th> </tr> </thead> <tbody> <tr> <td>&gt;BAT-S1<br/>1.01 50</td> </tr> </tbody> </table>                         | Internal Code | >BAT-S1<br>1.01 50 |                    |
| Internal Code  |               |                                |  |               |                    |                    |
| >BAT-M<br>2.01   |               |                                |  |               |                    |                    |
| Internal Code  |               |                                |  |               |                    |                    |
| >BAT-S1<br>1.01 50   |               |                                |  |               |                    |                    |
| <table border="1"> <thead> <tr> <th>Internal Code</th> </tr> </thead> <tbody> <tr> <td>&gt;BAT-S2<br/>1.01 50</td> </tr> </tbody> </table>             | Internal Code | >BAT-S2<br>1.01 50             | <table border="1"> <thead> <tr> <th>Internal Code</th> </tr> </thead> <tbody> <tr> <td>...</td> </tr> <tr> <td>&gt;BAT-S8<br/>1.01 50</td> </tr> </tbody> </table> | Internal Code | ...                | >BAT-S8<br>1.01 50 |
| Internal Code  |               |                                |  |               |                    |                    |
| >BAT-S2<br>1.01 50   |               |                                |  |               |                    |                    |
| Internal Code  |               |                                |  |               |                    |                    |
| ...  |               |                                |  |               |                    |                    |
| >BAT-S8<br>1.01 50   |               |                                |  |               |                    |                    |

➤ Information



Note!

- Once settings are selected at commissioning they are locked to view only.
- In case of a Path Diagram with the mark of "☆", it indicates that such a Path Diagram is only applicable to Australia and New Zealand.

## 8 Troubleshooting

### 8.1 Troubleshooting

This section contains information and procedures for resolving possible problems with the inverter, and provides you with troubleshooting tips to identify and solve most problems that may occur in the inverter. This section will help you narrow down the source of any problems you may encounter. Please read the troubleshooting steps below.

Check the warning or fault information on the system control panel or the fault code on the inverter information panel. If a message is displayed, log it before doing anything further.

Try the solutions indicated in the table below.

| Number | Faults           | Diagnosis and solution  |
|--------|------------------|---|
| IE 01  | TZ Protect Fault | Overcurrent fault.<br>• Wait for a while to check if you're back to normal.<br>• Disconnect PV+ PV- and batteries, reconnect.<br>• Or ask for help from the installer if it can not return to normal.         |
| IE 02  | Grid Lost Fult   | • Check battery input voltage if it's within normal range<br>• Or ask the installer for help.   |
| IE 03  | Grid Volt Fault  | Power grid voltage overrun<br>• Wait a moment, if the utility returns to normal, the system will reconnect.<br>• Please check if the grid voltage is within normal range.<br>• Or ask the installer for help. |
| IE 04  | Grid Freq Fault  | Electricity frequency beyond range<br>• If the utility returns to normal, the system reconnects.<br>• Or ask the installer for help.  |
| IE 05  | PV Volt Fault    | PV voltage out of range<br>• Check the output voltage of the PV panel<br>• Or ask the installer for help.   |
| IE 06  | Bus Volt Fault   | • press the "ESC" key to restart the inverter.<br>• Check that the PV input open circuit voltage is in the normal range.<br>• Or ask the installer for help.  |
| IE 07  | Bat Volt Fault   | Battery voltage fault<br>• Check battery input voltage if it's within normal range<br>• Or ask the installer for help.  |
| IE 08  | AC10mins Volt    | • The grid voltage was out of range in the last 10 minutes.<br>• The system will return to normal if the grid returns to normal.<br>• Or ask the installer for help.  |



| Number | Faults             | Diagnosis and solution   |
|--------|--------------------|--|
| IE 09  | DCI OCP Fault      | DCI overcurrent protection fault.<br>• Wait for a while to check if it's back to normal.<br>• Or ask the installer for help.   |
| IE 10  | DCV OVP Fault      | DCV EPS(Off-grid) overvoltage protection failure.<br>• Wait for a while to check if it's back to normal.<br>• Or ask the installer for help.   |
| IE 11  | SW OCP Fault       | Software Detection of Overcurrent Fault.<br>• Wait for a while to check if it's back to normal.<br>• Shut down photovoltaic, battery and grid connections<br>• Or ask the installer for help.  |
| IE 12  | RC OCP Fault       | Overcurrent protection fault.<br>• Check the impedance of DC input and AC output.<br>• Wait for a while to check if it's back to normal.<br>• Or ask the installer for help.   |
| IE 13  | Isolation Fault    | Insulation Fault<br>• Please check the wire insulation for damage.<br>• Wait for a while to check if it's back to normal.<br>• Or ask the installer for help.  |
| IE 14  | Temp Over Fault    | Temperature beyond limit<br>• Check if ambient temperature exceeds the limit.<br>• Or ask the installer for help.  |
| IE 15  | Bat Con Dir Fault  | EPS(Off-grid) mode current is too strong.<br>• Ensure that the load power is within the EPS(Off-grid) power range.<br>• Check for any non-linear load connections on the EPS(Off-grid).<br>• Move this load to check for recovery.<br>• Or ask for help from the installer if it can not return to normal. |
| IE 16  | EPS Overload Fault | EPS(Off-grid) over load fault.<br>• Shutdown the high-power device and press the "ESC" key to restart the inverter.<br>• Or ask for help from the installer if it can not return to normal.  |
| IE 17  | Overload Fault     | On-grid mode over load<br>• Shutdown the high-power device and press the "ESC" key to restart the inverter.<br>• Or ask for help from the installer if it can not return to normal.  |
| IE 18  | BatPowerLow        | • Close the high-power device and press the "ESC" key to restart the inverter.<br>• Please charge the battery to a level higher than the protection capacity or protection voltage   |
| IE 19  | BMS Lost           | Battery communication loss<br>• Check that the communication lines between the battery and the inverter are properly connected.<br>• Or ask for help from the installer if it can not return to normal.  |
| IE 20  | Fan Fault          | Fan Fault<br>• Check for any foreign matter that may have caused the fan not to function properly.<br>• Or ask for help from the installer if it can not return to normal.   |
| IE 21  | Low TempFault      | Low temperature fault.<br>• Check if the ambient temperature is too low.<br>• Or ask for help from the installer if it can not return to normal.   |

| Number | Faults                    | Diagnosis and solution  |
|--------|---------------------------|---|
| IE 25  | InterComFault             | Mgr InterCom Fault<br>• Shut down photovoltaic, battery and grid, reconnect.<br>• Or ask for help from the installer if it can not return to normal.  |
| IE 26  | INV EEPROM                | Inverter EEPROM Fault.<br>• Shut down photovoltaic, battery and grid, reconnect.<br>• Or ask for help from the installer if it can not return to normal.  |
| IE 27  | RCD Fault                 | Fault of Residual Current Device<br>• Check the impedance of DC input and AC output.<br>• Disconnect PV + PV - and batteries, reconnect.<br>• Or ask for help from the installer if it can not return to normal.                                |
| IE 28  | Grid Relay Fault          | Electrical relay failure<br>• Disconnect PV+ PV- grid and batteries and reconnect.<br>• Or ask for help from the installer if it can not return to normal.  |
| IE 29  | EPS(Off-grid) Relay Fault | EPS(Off-grid) relay failure<br>• Disconnect PV+, PV-, grid and batteries and reconnect.<br>• Or ask for help from the installer if it can not return to normal.   |
| IE 30  | PV ConnDirFault           | PV direction fault<br>• Check if the PV input lines are connected in the opposite direction.<br>• Or ask for help from the installer if it can not return to normal.  |
| IE 31  | Battery Relay             | Charge relay fault<br>• Press the ESC" key to restart the inverter. .<br>• Or ask for help from the installer if it can not return to normal.   |
| IE 32  | Earth Raley               | EPS(Off-grid) earth relay fault<br>• Press the ESC" key to restart the inverter. .<br>• Or ask for help from the installer if it can not return to normal.  |
| IE 33  | ParallelFault             | Parallel Fault<br>• Check the communication and earth cable connection and matching resistor settings.<br>• Or ask for help from the installer if it can not return to normal.  |
| IE 36  | HardLimitFault            | HardLimitFault<br>• Check the power value set in the HardLimit setting, increase the value larger if the value.<br>• Or ask for help from the installer if it can not return to normal.   |
| IE 37  | CtMeterConFault           | CT Meter ConFault<br>• Check whether the cable connection of the CT or meter is proper or not.<br>• Or ask for help from the installer if it can not return to normal.  |
| IE 101 | PowerTypeFault            | Power type fault<br>• Upgrade the software and press the ESC" key to restart the inverter.<br>• Or ask for help from the installer if it can not return to normal.  |
| IE 102 | Port OC Warning           | EPS(Off-grid) port over current fault<br>• Check that the EPS(Off-grid) load does not exceed the system requirements, and press the ESC" key to restart the inverter. .<br>• Or ask for help from the installer if it can not return to normal. |
| IE 103 | Mgr EEPROM Fault          | Manager EEPROM Fault.<br>• Shut down photovoltaic, battery and grid, reconnect.<br>• Or seek help from the installer if it can not return to normal.  |

| Number | Faults             | Diagnosis and solution  |
|--------|--------------------|---|
| IE 105 | NTC Sample Invalid | NTC invalid<br><ul style="list-style-type: none"> <li>• Make sure the NTC is properly connected and the NTC is in good condition.</li> <li>• Please confirm that the installation environment is normal</li> <li>• Or ask for help from the installer, if it can not return to normal.</li> </ul> |
| IE 106 | Bat Temp Low       | Battery temp low<br><ul style="list-style-type: none"> <li>• Check the battery installation environment to ensure good heat dissipation.</li> <li>• Or ask for help from the installer, if it can not return to normal.</li> </ul>  |
| IE 107 | Bat Temp High      | Battery temp high<br><ul style="list-style-type: none"> <li>• Check the battery installation environment to ensure good heat dissipation.</li> <li>• Or ask for help from the installer, if it can not return to normal.</li> </ul>   |
| IE 109 | Meter Fault        | Meter Fault<br><ul style="list-style-type: none"> <li>• Please check that the instrument is working properly</li> <li>• Or seek help from the installer if it can not return to normal.</li> </ul>  |
| IE 110 | BypassRaleyFlt     | Bypass relay fault<br><ul style="list-style-type: none"> <li>• Press the ESC* key to restart the inverter.</li> <li>• Or ask for help from the installer if it can not return to normal.</li> </ul>   |
| IE 111 | ARMParaComFlt      | ARMParaComFlt<br><ul style="list-style-type: none"> <li>• Please check that the communication cables of inverters are well connected and the baud rate of COMM setting of inverters are the same.</li> <li>• Or seek help from the installer if it can not return to normal.</li> </ul>           |
| IE 112 | FAN1 Fault         | FAN1 Fault<br><ul style="list-style-type: none"> <li>• Please change the fan.</li> <li>• Or seek help from the installer if it can not return to normal.</li> </ul>   |
| IE113  | FAN2 Fault         | FAN2 Fault<br><ul style="list-style-type: none"> <li>• Please change the fan.</li> <li>• Or seek help from the installer if it can not return to normal.</li> </ul>   |
| BE 01  | BMS_ExtErr         | Battery Error - External Communication Fault<br><ul style="list-style-type: none"> <li>• Please contact the battery supplier.</li> </ul>  |
| BE 02  | BMS_InterErr       | Battery Error - Internal Communication Fault<br><ul style="list-style-type: none"> <li>• Please contact the battery supplier.</li> </ul>  |
| BE 03  | BMS_OverVolt       | Over voltage in battery system<br><ul style="list-style-type: none"> <li>• Please contact the battery supplier.</li> </ul>  |
| BE 04  | BMS_LowerVolt      | Low voltage in battery system<br><ul style="list-style-type: none"> <li>• Please contact the battery supplier.</li> </ul>   |
| BE 05  | BMS_ChargeOCP      | Battery fault - over charge fault<br><ul style="list-style-type: none"> <li>• Please contact the battery supplier.</li> </ul>   |
| BE 06  | DischargeOCP       | Battery fault-discharge over current fault<br><ul style="list-style-type: none"> <li>• Please contact the battery supplier.</li> </ul>  |
| BE 07  | BMS_TemHigh        | Over temperature in battery system<br><ul style="list-style-type: none"> <li>• Please contact the battery supplier.</li> </ul>  |
| BE 08  | BMS_TemLow         | Battery temperature sensor malfunction<br><ul style="list-style-type: none"> <li>• Please contact the battery supplier.</li> </ul>  |

| Number | Faults        | Diagnosis and solution   |
|--------|---------------|--|
| BE 09  | CellImblance  | Battery Unbalanced Failure<br><ul style="list-style-type: none"> <li>• Please contact the battery supplier.</li> </ul>   |
| BE 10  | BMS_Hardware  | Battery hardware protection failure<br><ul style="list-style-type: none"> <li>• Please contact the battery supplier.</li> </ul>  |
| BE 11  | BMS_Circuit   | Battery circuit failure<br><ul style="list-style-type: none"> <li>• Restart the battery .</li> <li>• Please contact the battery supplier.</li> </ul>   |
| BE 12  | BMS_ISO_Fault | Battery insulation failure<br><ul style="list-style-type: none"> <li>• Check that the battery is properly grounded and restart the battery.</li> <li>• Please contact the battery supplier.</li> </ul> |
| BE 13  | BMS_VolSen    | Battery voltage sensor fault<br><ul style="list-style-type: none"> <li>• Please contact the battery supplier.</li> </ul>   |
| BE 14  | BMS_TempSen   | Temperature sensor failure<br><ul style="list-style-type: none"> <li>• Restart the battery .</li> <li>• Please contact the battery supplier.</li> </ul>  |
| BE 15  | BMS_CurSen    | Battery current sensor fault<br><ul style="list-style-type: none"> <li>• Please contact the battery supplier.</li> </ul>   |
| BE 16  | BMS_Relay     | Battery relay failure<br><ul style="list-style-type: none"> <li>• Please contact the battery supplier.</li> </ul>  |
| BE 17  | TypeUnmatch   | Battery type failure<br><ul style="list-style-type: none"> <li>• Upgrade the battery BMS software.</li> <li>• Please contact the battery supplier.</li> </ul>  |
| BE 18  | Ver Unmatch   | Battery version mismatch failure<br><ul style="list-style-type: none"> <li>• Upgrade the battery BMS software.</li> <li>• Please contact the battery supplier.</li> </ul>                              |
| BE 19  | MFR Unmatch   | Battery manufacturer did not match the fault<br><ul style="list-style-type: none"> <li>• Upgrade the battery BMS software.</li> <li>• Please contact the battery supplier.</li> </ul>                  |
| BE 20  | SW Unmatch    | Battery hardware and software mismatch failure<br><ul style="list-style-type: none"> <li>• Upgrade the battery BMS software.</li> <li>• Please contact the battery supplier.</li> </ul>                |
| BE 21  | M&S Unmatch   | Battery master slave control mismatches<br><ul style="list-style-type: none"> <li>• Upgrade the battery BMS software.</li> <li>• Please contact the battery supplier.</li> </ul>                       |
| BE 22  | CR NORespond  | Battery charging request does not respond to a fault<br><ul style="list-style-type: none"> <li>• Upgrade the battery BMS software.</li> <li>• Please contact the battery supplier.</li> </ul>          |
| BE 23  | SW Protect    | Battery slave software protection failure<br><ul style="list-style-type: none"> <li>• Upgrade the battery BMS software.</li> <li>• Please contact the battery supplier.</li> </ul>                     |
| BE 24  | 536 Fault     | Battery fault-discharge over current fault<br><ul style="list-style-type: none"> <li>• Please contact the battery supplier.</li> </ul>   |
| BE 25  | BMS SelfCheck | Over temperature in battery system<br><ul style="list-style-type: none"> <li>• Please contact the battery supplier.</li> </ul>   |

| Number | Faults           | Diagnosis and solution   |
|--------|------------------|--|
| BE 26  | BMS_Tempdiff     | Battery temperature sensor malfunction<br>• Please contact the battery supplier.                                 |
| BE 27  | BMS_BreakFault   | Battery Unbalanced Failure<br>• Please contact the battery supplier.   |
| BE 28  | BMS_FlashFault   | Battery hardware protection failure<br>• Please contact the battery supplier.                                    |
| BE 29  | BMS_Precharge    | Battery precharge failure<br>• Please contact the battery supplier.  |
| BE 30  | AirSwitchBreaker | Battery air switch failure<br>• Check that the battery breaker is off.<br>• Please contact the battery supplier. |

• If the information panel of your inverter does not show the fault light, check the following list to ensure the current installation status, correct operation.

- Is the inverter located in a clean, dry and well-ventilated place?
- Is the DC input circuit breaker open?
- Is the specification and length of the cable adequate?
- Are the input and output connections and wiring in good condition?
- Is the configuration set correct for your particular installation?

Please contact our customer service for further assistance. Please be prepared to describe the details of your system installation and provide the inverter serial number.

## 8.2 Routine Maintenance

Inverter do not require any maintenance or correction in most cases, but if the inverter often loses power due to overheating, this can be attributed to the following reason:

Heat sink behind the inverter is covered with dirt. If necessary, clean the cooling heat sink with a soft dry cloth or brush. Only trained and authorized professionals familiar with safety requirements can perform maintenance and maintenance work.

### ➤ Safety inspections

Safety checks should be conducted at least every 12 months, please contact the manufacturer to arrange for appropriate training, expertise, and practical experience in performing these tests. (Please note that this action is not covered by warranty). These data should be recorded in the device log. If the equipment is not running properly or any test fails, the equipment must be repaired for details of safety inspections, refer to section 2 of this manual for safety instructions and europe commission instructions.

### ➤ Regular maintenance

Only qualified people can do the following work. In the process of using frequency converter, the manager should check and maintain the machine regularly. The specific operation is as follows.

1. Check whether the heat sink is covered with dirt, clean the machine and absorb dust if necessary. This work should be performed from time to time.
2. Check whether the frequency converter indicator is normal, check whether the frequency converter button is normal, check whether the frequency converter display is normal. This inspection should be conducted at least every 6 months.
3. Check the input and output lines for damage or aging. This inspection should be conducted at least every 6 months.
4. Cleaning and safety inspection of PV modules should be carried out at least once every 6 months.

## 9 Decommissioning

### 9.1 Disassembling the Inverter

- Remove DC input line and AC output line of inverter.
- Wait for at least 5 minutes to power off.
- Remove all cable connections from the inverter.
- Remove inverter from finger support the bracket.
- Remove the bracket if necessary.

### 9.2 Packaging

Load the inverter into the original package if possible.

- If the original package can not be found, you can also use the following requirements of the carton packaging:
- Bearing capacity of more than 30 kg.
- Easy to carry.
- Can completely seal the cover.

### 9.3 Storage and Transportation

Store the inverter in a dry, temperature -40°C~70°C environment. Pay attention to less than four machines on each stack board during storage and transportation.

### 9.4 Waste Disposal

If it is necessary to scrap the inverter or other related parts, be sure to send the waste inverter and packaging materials to the designated location for recycling by the relevant department.

## 10 Disclaimer

The inverters are transported, used and operated under limited condition, such as environmental, electrical etc. Our company shall not be liable to provide the service, technical support or compensation under conditions listed below, including but not limited to :

- Inverter is damaged or broken by force majeure (such as earthquake, flooding, thunderstorm, lighting, fire hazard, volcanic eruption etc).
- Inverter's warranty is expired and doesn't buy extended warranty.
- Can't provide the inverter's SN, warranty card or invoice.
- Inverter is damaged by man-made cause. Inverter is used or operated against any items in local policy.
- Inverter's installation, configuration, commissioning doesn't follow the requirements mentioned in this manual.
- Inverter is installed, refitted or operated in improper ways mentioned in this manual without authority from our company.
- Inverter is installed, operated under improper environment or electrical condition mentioned in this manual without authority from our company.
- Inverter is changed, updated or disassembled on hardware or software without authority from our company.
- Obtain the communication protocol from other illegal channels.
- Build monitoring, control system without authority from our company.
- Connect to other brands batteries without authority from our company.

Our company will keep right to explain all the contents in this user manual.

# Warranty Registration Form



## For Customer (Compulsory)

Name ..... Country .....

Phone Number ..... Email .....

Address .....

State ..... Zip Code .....

Product Serial Number .....

Date of Commissioning .....

Installation Company Name .....

Installer Name ..... Electrician License No. ....

## For Installer

### Module ( If Any )

Module Brand .....

Module Size(W) .....

Number of String ..... Number of Panel Per String .....

### Battery ( If Any )

Battery Type .....

Brand .....

Number of Battery Attached .....

Date of Delivery ..... Signature .....

Please visit our warranty website: <https://www.solaxcloud.com/#/warranty> to complete the online warranty registration or use your mobile phone to scan the QR code to register.

For more detailed warranty terms, please visit SolaX official website: [www.solaxpower.com](http://www.solaxpower.com) to check it.





PLEASE REGISTER THE WARRANTY  
IMMEDIATELY AFTER INSTALLATION!  
GET YOUR WARRANTY CERTIFICATE  
FROM DURACELL!  
KEEP YOUR INVERTER ONLINE & WIN  
DURACELL POINTS!

1

Open your camera app and point your device at the QR code



2

Wait for the camera to recognize the QR code



3

Click banner or notification when it appears on the screen



4

Warranty registration page will be loaded automatically

