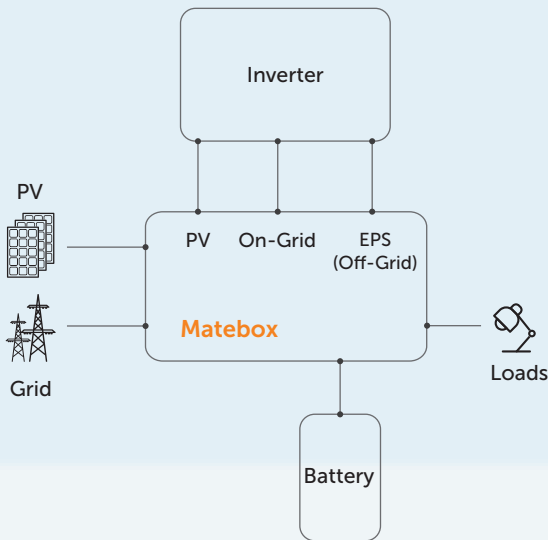


Accessories



MATEBOX

For the new X-ESS G4, we get rid of the complicated wiring work by laying all the wires in the Matebox. All you need to do is just to install one module on the top of another, and connect all the cables which are already well-sorted in the Matebox in different ports.

X1-MATEBOX



PV	
Max. input voltage	600 Vdc
Max. short circuit current (A / B)	20 / 20 A
BATTERY	
Battery voltage range	80 ~ 480 V
Max. charge / discharge current	30 A
ON-GRID (INVERTER)	
Rated voltage, frequency	220 / 230 / 240 Vac, 50 / 60 Hz
Max. on-grid current	32.6 A
OFF-GRID (INVERTER)	
Rated voltage, frequency	230 Vac, 50 / 60 Hz
Rated current	32.6 A
GRID (UTILITY)	
Rated grid voltage, frequency	220 / 230 / 240 Vac, 50 / 60 Hz
Max. input current	60 A
LOAD	
Rated voltage, frequency	220 / 230 / 240 Vac, 50 / 60 Hz
Max. current	60 A
ENVIRONMENT LIMIT	
Degree of protection	IP54
Protection class	Class I
Operating temperature range	-35 ~ 60°C
Storage temperature	-40 ~ 70°C
Relative humidity	0 ~ 100% (condensing)
Altitude	< 3000 m
Overvoltage category	III (AC), II (DC)
OTHER	
Cooling concept	Nature cooling
DIMENSION AND WEIGHT	
Dimensions	482 × 437 × 185 mm
Net weight	10.5 kg

X3-MATEBOX BASIC



PV	
Max. input voltage	1000 V
Max. short circuit current (A / B)	30 / 20 A
BATTERY	
Battery voltage range	180 ~ 500 V
Max. charge / discharge current	30 A
ON-GRID (INVERTER)	
Rated voltage, frequency	380 / 400 / 415 Vac, 50 / 60 Hz
Max. Grid (INV) input / output current	32 / 32 A
OFF-GRID (INVERTER)	
Rated voltage, frequency	380 / 400 / 415 Vac, 50 / 60 Hz
Max. current	24.1 A
GRID (UTILITY)	
Rated grid voltage, frequency	380 / 400 / 415 Vac, 50 / 60 Hz
Max. input / output current	32 / 32 A
LOAD	
Rated voltage, frequency	380 / 400 / 415 Vac, 50 / 60 Hz
Max. current	24.1 A
ENVIRONMENT LIMIT	
Degree of protection	IP54
Protection class	Class I
Operating temperature range	-35 ~ 60°C
Storage temperature	-40 ~ 70°C
Relative humidity	0 ~ 100%
Altitude	< 3000 m
Overvoltage category	III(AC), II(DC)
OTHER	
Cooling concept	Nature cooling
DIMENSION AND WEIGHT	
Dimensions	533 × 397 × 204 mm
Net weight	7.5 kg

X3-MATEBOX ADVANCED



PV	
Max. input voltage	1000 Vdc
Max. short circuit current (A / B)	30 / 20 A
BATTERY	
Battery voltage range	180 ~ 500 V
Max. charge / discharge current	30 A
ON-GRID (INVERTER)	
Rated voltage, frequency	380 / 400 / 415 Vac, 50 / 60 Hz
Max. Grid (INV) input/output current	24.1 / 24.1 A
OFF-GRID (INVERTER)	
Rated voltage, frequency	380 / 400 / 415 Vac, 50 / 60 Hz
Max. current	24.1 A
GRID (UTILITY)	
Rated grid voltage, frequency	380 / 400 / 415 Vac, 50 / 60 Hz
Max. input / output current	63 / 24.1 A
LOAD	
Rated voltage, frequency	380 / 400 / 415 Vac, 50 / 60 Hz
Max. current	63 A
ENVIRONMENT LIMIT	
Degree of protection	IP54
Protection class	Class I
Operating temperature range	-35 ~ 60°C
Storage temperature	-40 ~ 70°C
Relative humidity	0 ~ 100%
Altitude	< 3000 m
Overvoltage category	III (AC), II (DC)
OTHER	
Cooling concept	Nature cooling
DIMENSION AND WEIGHT	
Dimensions	551 × 512 × 204 mm
Net weight	14.5 kg